

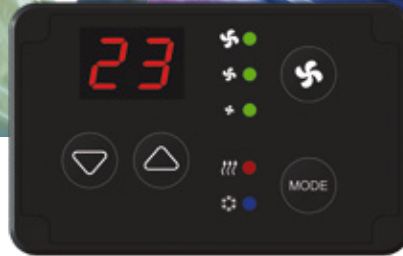
SLIM



# SLIM

OEM

HVAC + R



## SLIM

### MAIN FUNCTIONS

REFRIGERATION

CLIMATIZATION

SPECIAL FUNCTIONS

### CHARACTERISTICS

- 7 segment LED Display
- Client Logo on the panel (optional)
- Great Cost X Benefit
- Function Hourmeters
- Custom Design
- Customized Functions
- Multifunction

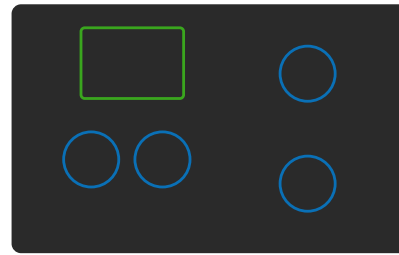
- Backlit Buttons
- Two temperature scales (°F or °C)
- Bluetooth and WiFi Modules Interface
- Integrated or remote I/Os (ECU)
- Telematics through additional module
- One-Wire Communication (optional)
- USB interface through ECU (optional)

### AVAILABLE FOR



PANEL WITH DISCREET AND ELEGANT DESIGN.  
INTUITIVE AND CUSTOMIZABLE INTERFACE.

### INTERFACE POSITIONS



SLIM

### DISPLAY

DIGITAL DISPLAY  
7 segment LED Display  
2 Digits  
Selectable temperature scale °F ou °C



### BUTTONS

4 BUTTON KEYBOARD  
Backlit Buttons  
2 Button adjustments  
VENTILATION CONTROL  
High, Medium, Low  
AC CONTROL  
Heating and Cooling Functions



## CONFIGURATION OPTIONS

INPUTS: Analog and Digital

OUTPUTS: Negative Digitals or through external ECU: Analogs, Positive Digitals, Bridge (flap motor) and PWM

COMMUNICATION: ECU Module or Telematics Module

## FUNCTIONS UNDER REQUEST



WI-FI



BLUETOOTH



CELL PHONE  
INTERFACE



CAN BUS



REMOTE I/O  
NETWORK



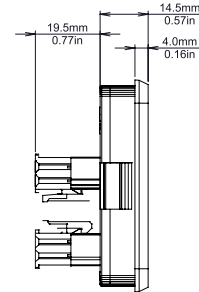
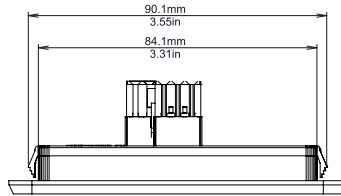
DATA  
LOGGER



CUSTOMIZABLE  
INTERFACES



# TECHNICAL DATA



Approximated weight: 115g

## CONNECTORS



MINI-FIT  
6 cable paths - Part Number: 39-01-2060  
Terminal - PN: 39-00-0038  
Manufacturer: Molex



MINI-FIT  
8 cable paths - Part Number: 39-01-2080  
Terminal - PN: 39-00-0038  
Manufacturer: Molex

TECHNICAL DATA	
OPERATING VOLTAGE	12 Vdc to 24 Vdc
VOLTAGE RANGE	10 Vdc to 30 Vdc
MAXIMUM VOLTAGE	32 Vdc during 5mins.
MAXIMUM CURRENT PER OUTPUT	500mA
OUTPUT SHORT-CIRCUIT	Protected
REVERSE POLARITY	Protected
OPERATING TEMPERATURE	-40°C a +85°C / -40°F a +185°F (Normal or extended temperature range options)
STORAGE TEMPERATURE	-40°C a +85°C / -40°F a +185°F
TEMPERATURE SENSOR	NTC (Other types under request)
FRONTAL PROTECTION DEGREE	IP 54
COMMUNICATION	One Wire
MAXIMUM CURRENT CONSUMPTION	12 Vdc @ 50mA / 24 Vdc @ 90mA *
STANDBY CONSUMPTION	12 Vdc @ 35mA / 24 Vdc @ 50mA *

\* Consumption may vary according to customer specifications.

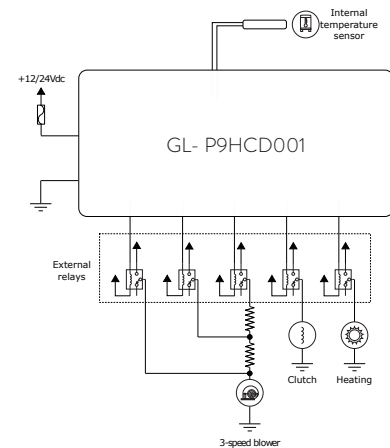
We keep the right to update or change information regarding products without prior notice.



## CLIMATIZATION AND REFRIGERATION CONTROLLER

GL- P9HCD001

- 7 segment LED Display
- Client Logo on the Panel (optional)



## PRODUCT CONFIGURATION

Choose the option most adequate to your system

PIN CN1	SLIM POSSIBLE CONFIGURATIONS - HARDWARE				
1	DIGITAL OUTPUT NEGATIVE 0.5A	OR	PWM OUTPUT	OR	--
2	DIGITAL OUTPUT NEGATIVE 0.5A	OR	PWM OUTPUT	OR	--
3	DIGITAL OUTPUT NEGATIVE 0.5A	OR	PWM OUTPUT	OR	--
4	DIGITAL OUTPUT NEGATIVE 0.5A	OR	PWM OUTPUT	OR	--
5	DIGITAL OUTPUT NEGATIVE 0.5A	OR	PWM OUTPUT	OR	--
6	DIGITAL OUTPUT NEGATIVE 0.5A	OR	PWM OUTPUT	OR	--
PIN CN2					
1	GND	OR	--	OR	--
2	GND	OR	--	OR	--
2	GND	OR	--	OR	--
4	GND	OR	--	OR	--
5	ANALOG INPUT	OR	DIGITAL INPUT	OR	--
6	ANALOG INPUT	OR	DIGITAL INPUT	OR	--
7	ANALOG INPUT	OR	DIGITAL INPUT	OR	ONE WIRE
8	ANALOG INPUT	OR	--	OR	--



WE ARE TODAY.  
WE ARE TOMORROW.  
WE ARE GLOBUS!



**Globus**  
Electronics



Av.Pernambuco, 106 | Navegantes | Porto Alegre | Brasil  
Fone: +55 51 3205 0555



Phone: +1 754 600 9882

[www.globus.com.br](http://www.globus.com.br)

