

SLIM

OEM

HVAC + R



MAIN FUNCTIONS

REFRIGERATION

CLIMATIZATION

SPECIAL FUNCTIONS

CHARACTERISTICS

- 7 segment LED Display
- Client Logo on the panel (optional)
- Great Cost X Benefit
- Function Hourmeters
- Custom Design
- Customized Functions
- Multifunction

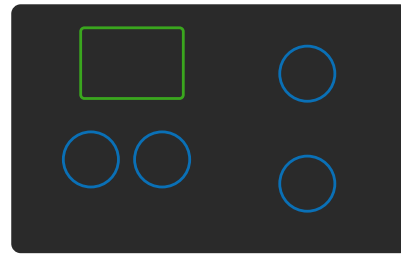
- Backlit Buttons
- Two temperature scales (°F or °C)
- Bluetooth and Wi-Fi Modules Interface
- Integrated or remote I/Os (ECU)
- Telematics through additional module
- One Wire Communication (optional)
- USB interface through ECU (optional)

AVAILABLE FOR



PANEL WITH DISCREET AND ELEGANT DESIGN.
INTUITIVE AND CUSTOMIZABLE INTERFACE.

INTERFACE POSITIONS



SLIM

DISPLAY

DIGITAL DISPLAY
7 segment LED Display
2 Digits
Selectable temperature scale °F or °C



BUTTONS

4 BUTTONS
Backlit Buttons
2 Button adjustments
VENTILATION CONTROL
High, Medium, Low
AC CONTROL
Heating and Cooling Functions



CONFIGURATION OPTIONS

INPUTS: Analog and Digital

OUTPUTS: Negative Digitals or through external ECU: Analogs, Positive Digitals, Bridge (flap motor) and PWM

COMMUNICATION: ECU Module or Telematics Module

FUNCTIONS UNDER REQUEST



WI-FI



BLUETOOTH



CELL PHONE
INTERFACE



CAN BUS



REMOTE I/O
NETWORK



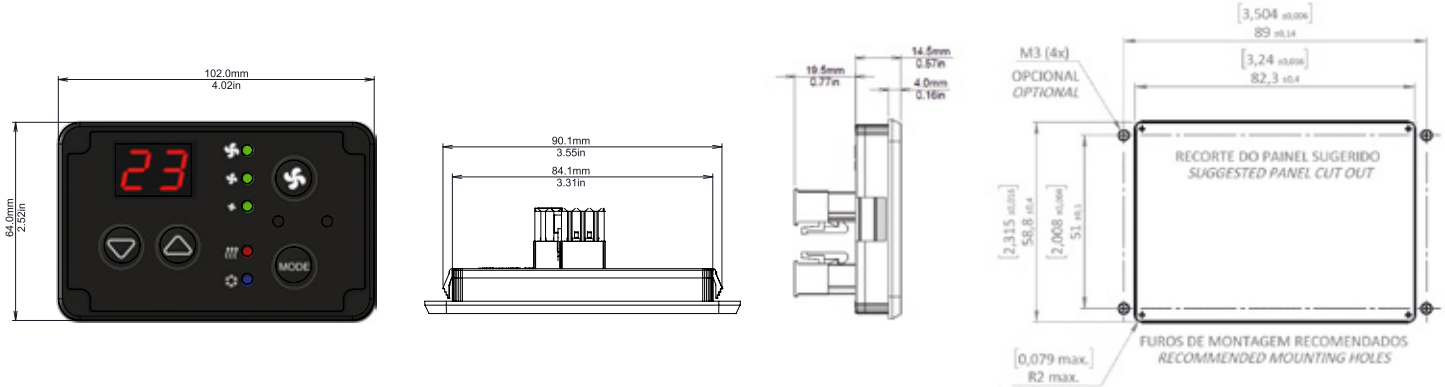
DATA
LOGGER



CUSTOMIZABLE
INTERFACES



TECHNICAL DATA



Approximated weight: 115g

CONNECTORS



MINI-FIT 6 ways
Part Number: 39-01-2060
Terminal - PN: 39-00-0038
Manufacturer: Molex



MINI-FIT 8 ways
Part Number: 39-01-2080
Terminal - PN: 39-00-0038
Manufacturer: Molex

TECHNICAL DATA

TECHNICAL DATA	
OPERATING VOLTAGE	12 VDC / 24 VDC
OPERATING VOLTAGE RANGE	10 VDC to 30 VDC
MAXIMUM VOLTAGE	32 VDC during 5 min
MAXIMUM CURRENT PER OUTPUT	500mA
OUTPUT SHORT-CIRCUIT	Protected
REVERSE POLARITY	Protected
OPERATING TEMPERATURE RANGE	-40°C to +85°C / -40°F to +185°F (Normal or extended temperature range options)
STORAGE TEMPERATURE	-40°C to +85°C / -40°F to +185°F
TEMPERATURE SENSOR	NTC (Other types under request)
FRONTAL PROTECTION DEGREE	IP 54
COMMUNICATION	One Wire / CAN Bus
MAXIMUM CURRENT CONSUMPTION	12 VDC @ 50mA / 24 VDC @ 90mA *
STANDBY CONSUMPTION	12 VDC @ 35mA / 24 VDC @ 50mA *

* Consumption may vary according to customer specifications.
We keep the right to update or change information regarding products without prior notice.



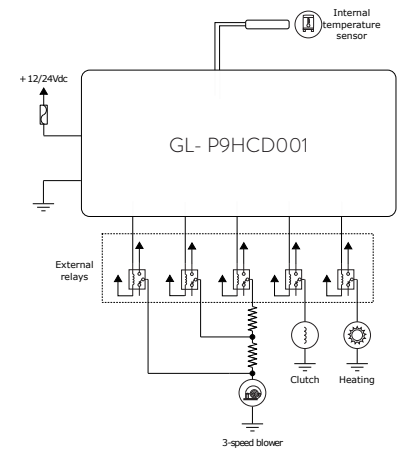
OEM

HVAC + R

CLIMATIZATION AND REFRIGERATION CONTROLLER

GL-P9HGL002

- 7 segment LED Display
- Customer Logo on the Panel (optional)



Choose the best options for your system

PIN CN1	SLIM POSSIBLE CONFIGURATIONS - HARDWARE 1				
1	DIGITAL OUTPUT NEGATIVE 0.5A	OR	PWM OUTPUT	OR	--
2	DIGITAL OUTPUT NEGATIVE 0.5A	OR	PWM OUTPUT	OR	--
3	DIGITAL OUTPUT NEGATIVE 0.5A	OR	PWM OUTPUT	OR	--
4	DIGITAL OUTPUT NEGATIVE 0.5A	OR	PWM OUTPUT	OR	--
5	DIGITAL OUTPUT NEGATIVE 0.5A	OR	PWM OUTPUT	OR	--
6	DIGITAL OUTPUT NEGATIVE 0.5A	OR	PWM OUTPUT	OR	--
PIN CN2					
1	GND	OR	--	OR	--
2	GND	OR	--	OR	--
2	GND	OR	--	OR	--
4	GND	OR	--	OR	--
5	ANALOG INPUT	OR	DIGITAL INPUT	OR	--
6	ANALOG INPUT	OR	DIGITAL INPUT	OR	--
7	ANALOG INPUT	OR	DIGITAL INPUT	OR	ONE WIRE
8	POWER SUPPLY	OR	--	OR	--

PIN CN1	SLIM POSSIBLE CONFIGURATIONS - HARDWARE 2			
1	ANALOG INPUT	OR	DIGITAL INPUT	
2	GND	OR	--	
PIN CN2				
1	POWER SUPPLY	OR	--	
2	ONE WIRE	OR	--	
2	GND	OR	--	
4	DIGITAL OUTPUT NEGATIVE 0.5A	OR	--	
5	DIGITAL OUTPUT NEGATIVE 0.5A	OR	--	
6	DIGITAL OUTPUT NEGATIVE 0.5A	OR	--	
7	DIGITAL OUTPUT NEGATIVE 0.5A	OR	--	
8	DIGITAL OUTPUT NEGATIVE 0.5A	OR	--	



WE ARE TODAY.
WE ARE TOMORROW.
WE ARE GLOBUS!



Globus
Electronics



Av.Pernambuco, 106 | Navegantes | Porto Alegre | Brasil
Fone: +55 51 3205 0555



Phone: +1 754 600 9882

www.globuselectronics.com

