



## Kit Description

Quant.	Tipo	Código	Descrição
1	Panel	GL-G8200	<b>MINI</b> DIG TEMP CONTROLLER FOR REFRIG WITH DEFROST
1	Con + Term		KIT 2 CON MINIFIT 6/8 VIA MAC AND 14 TERM
1	Relay Board	GL-R1RRD003	UNIVERSAL RELAY BOARD 12V WITHOUT PLASTIC BOX
1	Sensor	GL-A1SGL816	10K STAINLESS TEMP SENSOR IP68 FOR REFRIGERATION 2M
1	Con + Term	411.02.001	KIT 1 CON MATE-N-LOK 9 VIAS FEM AND 9 TERM
8	Con + Term	411.04.001	KIT 1 CON POSITIVE LOK 1 VIA MAC 1 TERM

## Panel Characteristics



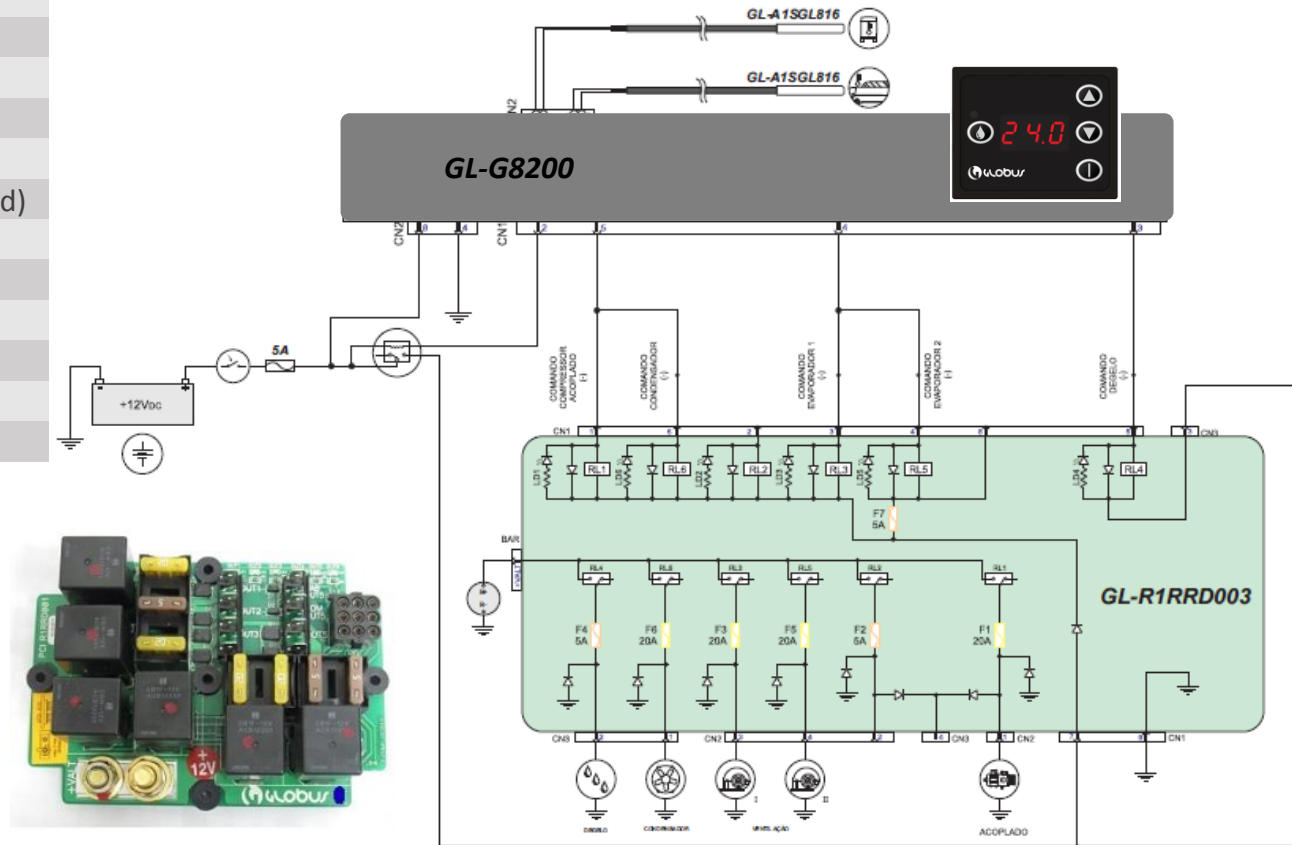
- Return temperature sensor input
- Serpentine sensor input
- Evaporator output
- Compressor/Condenser output
- Plastic housing



## KIT Technical Data

OPERATING VOLTAGE	12 Vdc
VOLTAGE RANGE	10 Vdc to 15 Vdc
MAXIMUM VOLTAGE	17 Vdc during 5mins
MAXIMUM OUTPUT VOLTAGE	Panel: 500mA   Board: see fuses
OUTPUT SHORT-CIRCUIT	Panel: Protected   Board: Protected via fuses
REVERSE POLARITY	Panel: Protected   Board: Not protected
OPERATING TEMPERATURE	-40°C to +85°C / -40°F to +185°F (normal or extended)
STORAGE TEMPERATURE	-40°C to +85°C / -40°F to +185°F
TEMPERATURE SENSOR	NTC - Consult technical team for other types
FRONTAL PROTECTION DEGREE	Panel: IP 54
COMMUNICATION	One Wire
MAXIMUM CURRENT CONSUMPTION	12 Vdc = 20mA / 24 Vdc = 25mA
STANDBY CONSUMPTION	N/A

## Block Diagram



## Panel Dimensions

