



NEO²

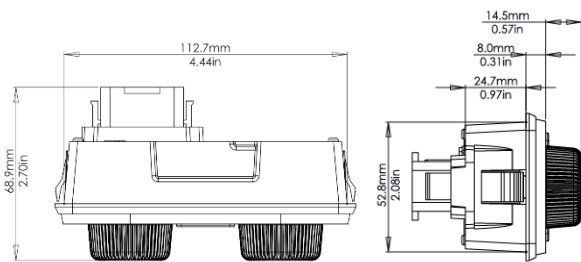
OEM
HVAC

DOUBLE PID PWM VENTILATION AND TEMPERATURE CONTROL PANEL GL-P8HGL214

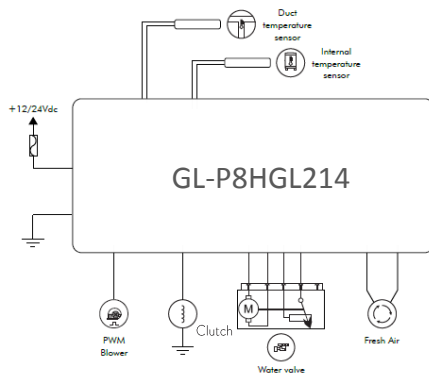
CHARACTERISTICS

- 9 speed PWM evaporator fan signal
- Proportional hot water valve control
- Return temperature sensor
- Duct temperature sensor
- Fahrenheit Scale
- Fresh air output
- 5A positive clutch output
- A/C Button
- Fresh air button
- Diagnostic LED
- Innovative design
- Designed for heavy-duty applications
- Analog commands
- Backlit buttons and symbols
- Customer logo on the panel (optional)
- Screwless installation
- Automotive connector
- High frontal protection grade- IP 54

TECHNICAL DATA



Approximate gross weight: 175 g



CONNECTORS



Mate-N-Lok 15 cable paths
Part Number: 1-480710 - 0
Terminal - PN: 350689-3
Manufacturer: Tyco Electronics

TECHNICAL DATA

OPERATING VOLTAGE	12 Vdc to 24 Vdc
VOLTAGE RANGE	9 Vdc to 30 Vdc
MAXIMUM VOLTAGE	32 Vdc during 5min
MAXIMUM OUTPUT CURRENT	See description above
OUTPUT SHORT CIRCUIT	Protected *
REVERSE POLARITY	Protected *
OPERATING TEMPERATURE	-40°C to +85°C / -40°F to +185°F
STORAGE TEMPERATURE	-40°C to +125°C / -40°F to +257°F
TEMPERATURE SENSOR	NTC 10K
FRONTAL PROTECTION DEGREE	IP 54
COMMUNICATION	N/A
MAXIMUM CURRENT CONSUMPTION	40mA @ 12Vdc, 20mA @ 24Vdc **

* According to product specifications. ** Consumption ,may vary according to customer specifications.
We keep the right to update or change information regarding products without prior notice.