

EZ POWER

HVAC + R

STANDARD



MAIN FUNCTIONS

ACTIVATES MOTORS, COMPRESSORS,
FANS, SOLENOID, RESISTANCES

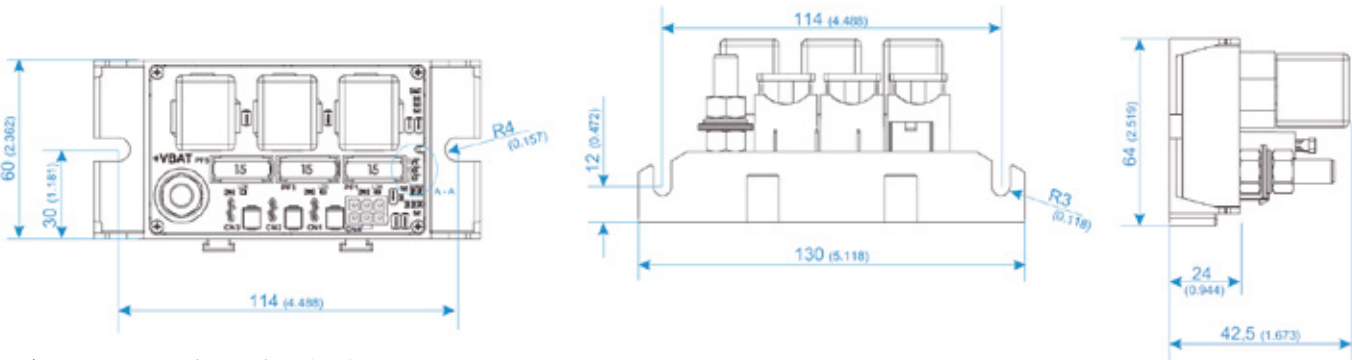
CHARACTERISTICS

- Innovative Design
- Designed for heavy-duty applications
- Individual commands
- Automotive connector
- Modular (can be plugged in, reaching the number of relays the customer needs)
- Excellent cost-benefit ratio
- Compact size, simplifying installation

AVAILABLE FOR



TECHNICAL DATA



Approximated weight: 280g

CONNECTORS



MINI-FIT MOLEX 6 ways
Part Number: 3901-2060
TERMINAL – PN: 3900-0038
Manufacturer: MOLEX



POSITIVE LOCK AMP 1 way
Part Number: 154719-1
TERMINAL – PN: 880645-6
Manufacturer: AMP



AUTOMOTIVE RELAY
PANASONIC 12VDC / 40A
Part Number: CB1F-12V
BLADE FUSE
Manufacturer: LITTELFUSE
PN: 0287015.PXCN

TECHNICAL DATA		
OPERATING VOLTAGE	12 VDC	24 VDC
VOLTAGE RANGE	10 VDC to 15 VDC	18 VDC to 30 VDC
MAXIMUM VOLTAGE	17 VDC during 5 min.	32 VDC during 5 min.
MAXIMUM CURRENT PER OUTPUT	15A	15A
OUTPUT SHORT-CIRCUIT	Protected	Protected
REVERSE POLARITY	Not Protected	Not Protected
OPERATING TEMPERATURE	-40°C to +85°C	-40°C to +85°C
STORAGE TEMPERATURE	-40°C / + 125°C	-40°C / + 125°C
TEMPERATURE SENSOR	N/A	N/A
PROTECTION DEGREE	N/A	N/A
MAXIMUM CURRENT CONSUMPTION	N/A	N/A
STANDBY CONSUMPTION	N/A	N/A

* According to product configuration. ** Consumption may vary according to customer specifications.
We keep the right to update or change information regarding products without prior notice.

FUNCTIONS UNDER REQUEST



WI-FI



BLUETOOTH



CELL PHONE
INTERFACE



CAN BUS



REMOTE I/O
NETWORK



DATA
LOGGER



INTERFACES
CUSTOMIZÁVEIS



HMI



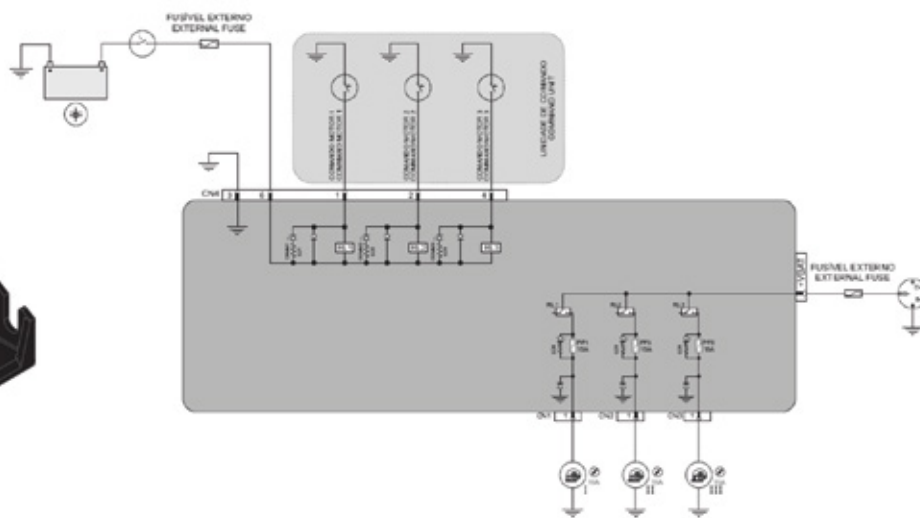
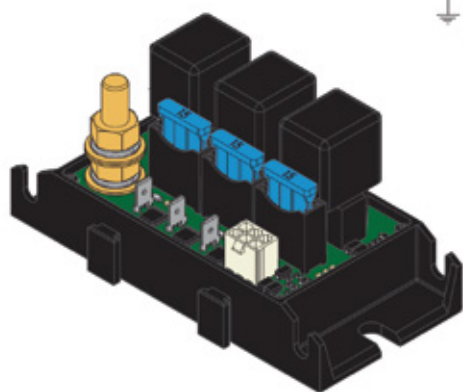
EZ POWER

HVAC + R

STANDARD

EZ POWER NEGATIVE ACTIVATION

GL-R1SGL001 (12 VDC) | GL-R2SGL001 (24 VDC)



EZ POWER POSITIVE ACTIVATION

GL-R1SGL002 (12 VDC) | GL-R2SGL002 (24 VDC)

