

EZ POWER

HVAC + R

STANDARD



## MAIN FUNCTIONS

ACTIVATES MOTORS, COMPRESSORS,  
FANS, SOLENOID, RESISTANCES

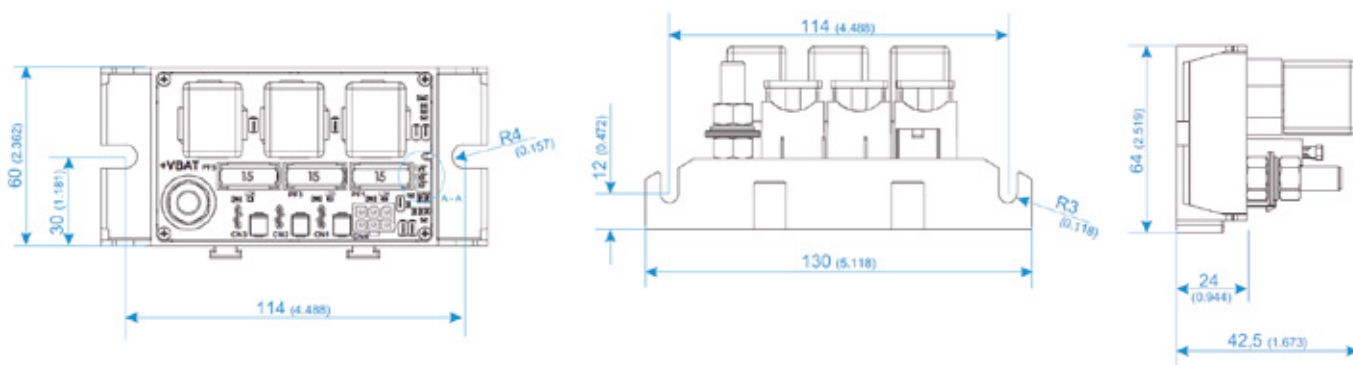
## CHARACTERISTICS

- Innovative design
- Designed for heavy-duty applications
- Individual commands
- Automotive connector
- Modular (can be plugged in, reaching the number of relays the customer needs)
- Excellent cost-benefit ratio
- Compact size, simplifying installation

## AVAILABLE FOR



# TECHNICAL DATA



Approximated weight: 280g

## CONNECTORS



MINI-FIT 6 ways  
Part Number: 3901-2060  
Terminal - PN: 3900-0038  
Manufacturer: MOLEX



POSITIVE LOCK 1 way  
Part Number: 154719-1  
Terminal - PN: 880645-6  
Manufacturer: AMP



AUTOMOTIVE RELAY  
PANASONIC 12VDC / 40A  
Part Number: CB1F-12V  
BLADE FUSE  
Manufacturer: LITTELFUSE  
PN: 0287015.PXCN

### TECHNICAL DATA

	12 VDC	24 VDC
OPERATING VOLTAGE	12 VDC	24 VDC
OPERATING VOLTAGE RANGE	10 VDC to 15 VDC	18 VDC to 30 VDC
MAXIMUM VOLTAGE	17 VDC during 5 min	32 VDC during 5 min
MAXIMUM CURRENT PER OUTPUT	15A	15A
OUTPUT SHORT-CIRCUIT	Protected	Protected
REVERSE POLARITY	Not Protected	Not Protected
OPERATING TEMPERATURE RANGE	-40°C to +85°C	-40°C to +85°C
STORAGE TEMPERATURE	-40°C / + 125°C	-40°C / + 125°C
TEMPERATURE SENSOR	N/A	N/A
PROTECTION DEGREE	N/A	N/A
MAXIMUM CURRENT CONSUMPTION	N/A	N/A
STANDBY CONSUMPTION	N/A	N/A

\* According to product configuration. \*\* Consumption may vary according to customer specifications.

We keep the right to update or change information regarding products without prior notice.

## FUNCTIONS UNDER REQUEST



WI-FI



BLUETOOTH



CELL PHONE  
INTERFACE



CAN BUS



REMOTE I/O  
NETWORK



DATA  
LOGGER



CUSTOMIZABLE  
INTERFACES



HMI



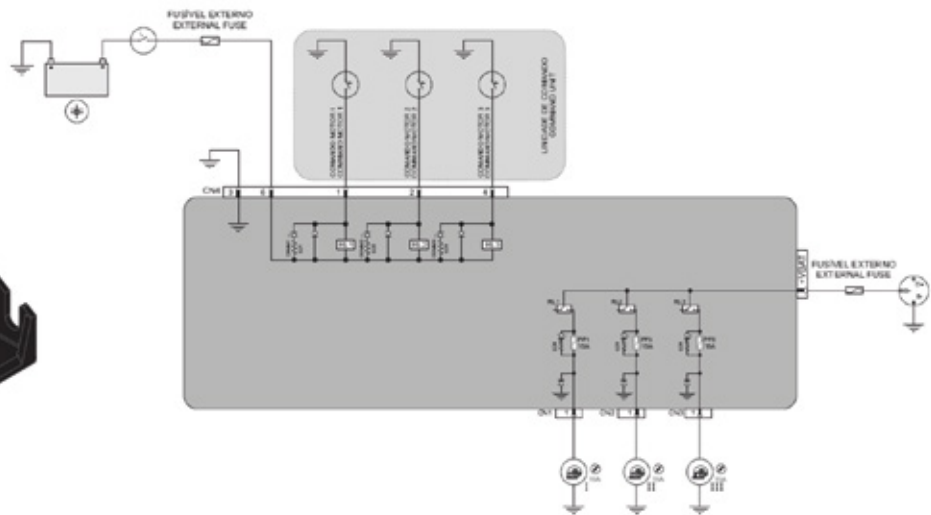
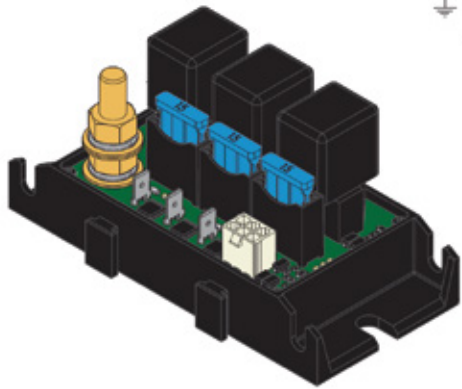
# EZ POWER

HVAC + R

STANDARD

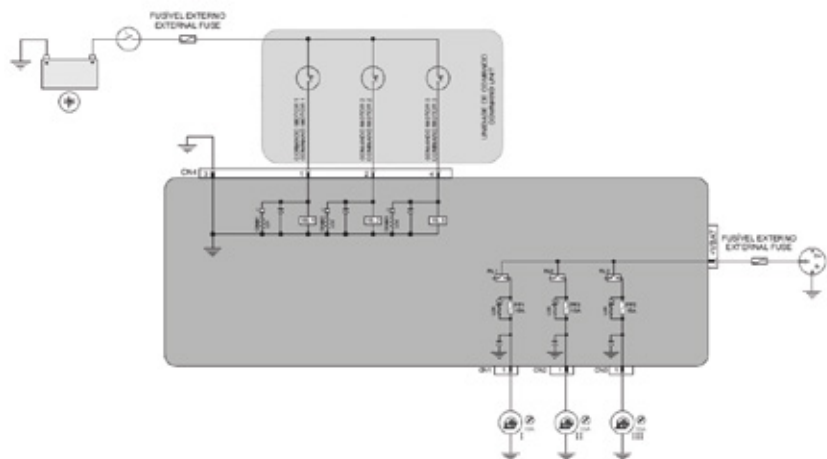
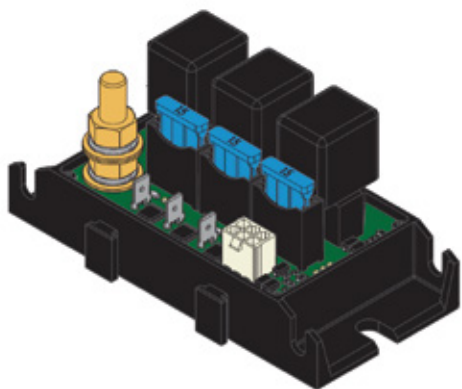
## EZ POWER NEGATIVE ACTIVATION

GL-R1SGL001 (12 VDC) | GL-R2SGL001 (24 VDC)



## EZ POWER POSITIVE ACTIVATION

GL-R1SGL002 (12 VDC) | GL-R2SGL002 (24 VDC)





WE ARE TODAY.  
WE ARE TOMORROW.  
WE ARE GLOBUS!



**Globus**  
Electronics



Av.Pernambuco, 106 | Navegantes | Porto Alegre | Brasil  
Fone: +55 51 3205 0555



Phone: +1 754 600 9882

[www.globuselectronics.com](http://www.globuselectronics.com)

