

NEO COMPACT

OEM

HVAC + R



MAIN FUNCTIONS

REFRIGERATION

HEATING

VENTILATION

CHARACTERISTICS

- Innovative design
- Designed for heavy-duty applications
- Analog commands
- Backlit buttons and symbols
- Customer logo on display
- Screwless installation
- Automotive connector
- High frontal protection grade – IP 54
- Water valve activation via mechanical cable (optional)

CONFIGURATION OPTIONS

INPUTS: Analog and Digital

OUTPUTS: Negative Digitals or through external ECU: Analogs, Positive Digitals, Bridge (flap motor) and PWM.

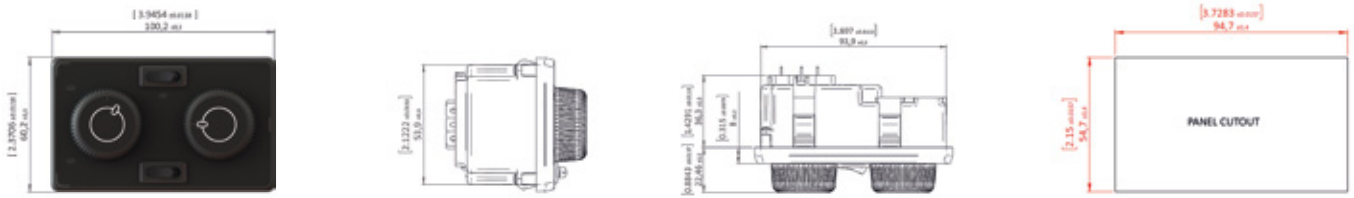
COMMUNICATION: ECU Module or Telematics Module

AVAILABLE FOR

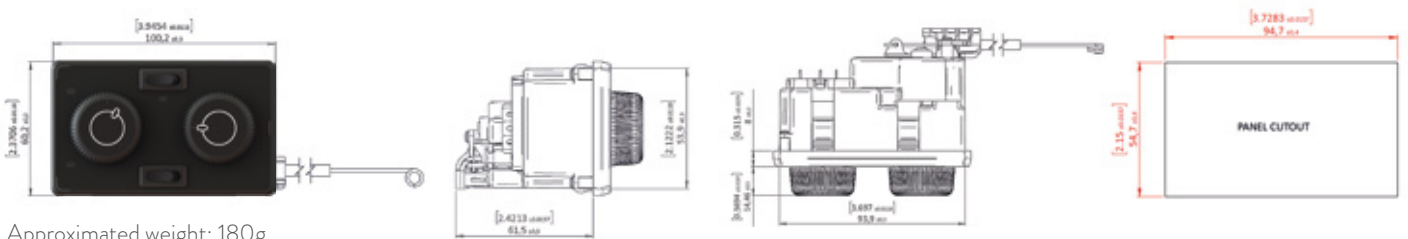


TECHNICAL DATA

NEO COMPACT | ELECTRONIC CONTROL



NEO COMPACT | MECHANICAL CONTROL



Approximated weight: 180g

CONNECTORS



MINI-FIT 6 ways
Part Number: 39-01-2060
Terminal - PN: 39-00-0038
Manufacturer: Molex



FASTON 5 ways
Part Number: 754C3
Terminal - PN: 735222-2
Manufacturer: Faston



TEMPERATURE SENSOR
10KΩ @ 25°C
Part Number: GL-GS814
Manufacturer: Globus

TECHNICAL DATA

NOMINAL VOLTAGE	12 VDC / 24 VDC
OPERATING VOLTAGE RANGE	9 VDC to 30 VDC
MAXIMUM VOLTAGE	32 VDC during 5 min
OUTPUT SHORT-CIRCUIT	Protected *
REVERSE POLARITY	Protected *
OPERATING TEMPERATURE RANGE	-40°C to +85°C / -40°F to +185°F
STORAGE TEMPERATURE	-40°C to +125°C / -40°F to +257°F
TEMPERATURE SENSOR	NTC - See individual product description
DEGREE OF FRONT PROTECTION	IP 54
COMMUNICATION	One Wire / CAN Bus
MAXIMUM CURRENT CONSUMPTION	40mA @ 12 VDC / 20mA @ 24 VDC **
STANDBY CONSUMPTION	N/A **

* According to product configuration. ** Consumption may vary according to customer specifications.
We keep the right to update or change information regarding products without prior notice.

FUNCTIONS UNDER REQUEST



WI-FI



BLUETOOTH



CELL PHONE
INTERFACE



CAN BUS



REMOTE I/O
NETWORK



DATA
LOGGER



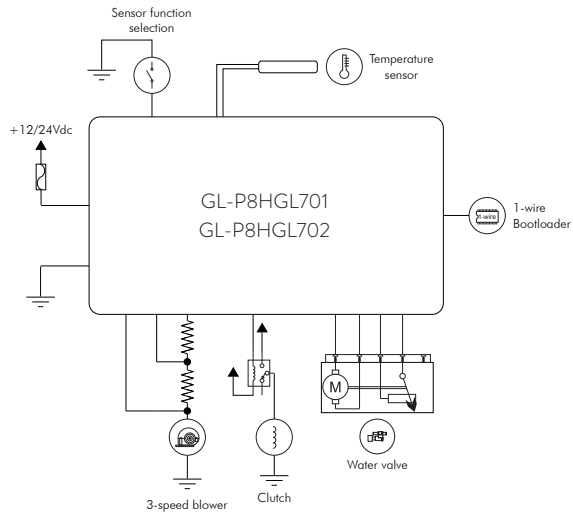
CUSTOMIZABLE
INTERFACES



3-SPEED FAN AND TEMPERATURE CONTROL BY PROPORTIONAL VALVE AND COMPRESSOR CYCLING

GL-P8HGL701 - 10 positions | GL-P8HGL702 - 22 positions

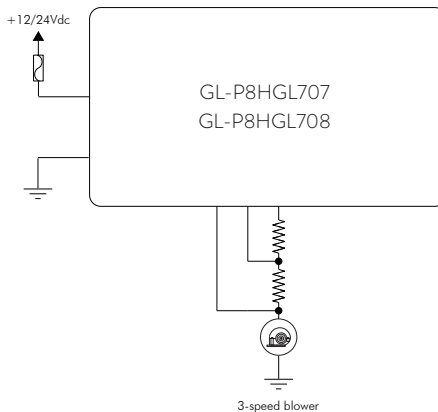
- 3 evaporator speeds via 16A@12V and 10A@24V power switch
- Proportional control of the hot water valve
- Coil / return temperature sensor
- Negative clutch output 500mA
- AC Button
- Diagnostics LED



3-SPEED FAN CONTROL AND HEATING WITH MECHANICAL CABLE

GL-P8HGL707 - 10 positions | GL-P8HGL708 - 22 positions

- 3 evaporator speeds via 16A@12V and 10A@24V power switch
- Proportional mechanical control of the hot water valve



PRODUCT CONFIGURATION

Choose the best options for your system

PIN CN1	NEO COMPACT POSSIBLE CONFIGURATIONS - HARDWARE 1				
1	DIGITAL OUTPUT NEGATIVE 0.5A	OR	DIGITAL OUTPUT POSITIVE 0.5A	OR	BRIDGE HI
2	DIGITAL OUTPUT NEGATIVE 0.5A	OR	DIGITAL OUTPUT POSITIVE 0.5A	OR	
3	ANALOG INPUT	OR	DIGITAL INPUT	OR	--
4	GND	OR	--	OR	--
5	ANALOG INPUT	OR	DIGITAL INPUT	OR	--
6	GND	OR	--	OR	--
PIN CN2	NEO COMPACT POSSIBLE CONFIGURATIONS - HARDWARE 1				
1	POWER SUPPLY	OR	--	OR	--
2	GND	OR	--	OR	--
3	ANALOG INPUT	OR	DIGITAL INPUT	OR	--
4	DIGITAL OUTPUT NEGATIVE 0.5A	OR	--	OR	--
5	DIGITAL OUTPUT NEGATIVE 0.5A	OR	ONE WIRE	OR	--
6	ANALOG INPUT	OR	DIGITAL INPUT	OR	--
7	--	OR	--	OR	--
8	--	OR	--	OR	--

PIN CN1	NEO COMPACT POSSIBLE CONFIGURATIONS - HARDWARE 2				
1	POWER SUPPLY	OR	--	OR	--
2	GND	OR	--	OR	--
3	ANALOG INPUT	OR	DIGITAL INPUT	OR	--
4	COMMON RELAY COMPRESSOR	OR	--	OR	THIS PIN ALSO MONITORED BY THE MICROPROCESSOR.
5	GND	OR	--	OR	--
6	N/A RELAY COMPRESSOR	OR	--	OR	--



WE ARE TODAY.
WE ARE TOMORROW.
WE ARE GLOBUS!



Globus
Electronics



Av.Pernambuco, 106 | Navegantes | Porto Alegre | Brasil
Fone: +55 51 3205 0555



Phone: +1 754 600 9882

www.globuselectronics.com

