

DIGITAL THERMOSTAT



DIGITAL THERMOSTAT

INDUSTRIAL

STANDARD



MAIN FUNCTIONS

FAN-COIL
CONTROL

VAV BOX
ACTIVATION

SELF CONTAINED
DEDICATED CONTROL

HEATING

CHARACTERISTICS

- Blue LCD display with back light
- Remote climate inversion
- Sensor selection (local or remote) via parameter
- Local temperature sensor (winter / summer)
- Remote sensor (optional)
- Controls proportional valve, floating and on/off
- Two shift weekly calendar
- Real time clock

CONFIGURATION OPTIONS

INPUT: Analog and Digital

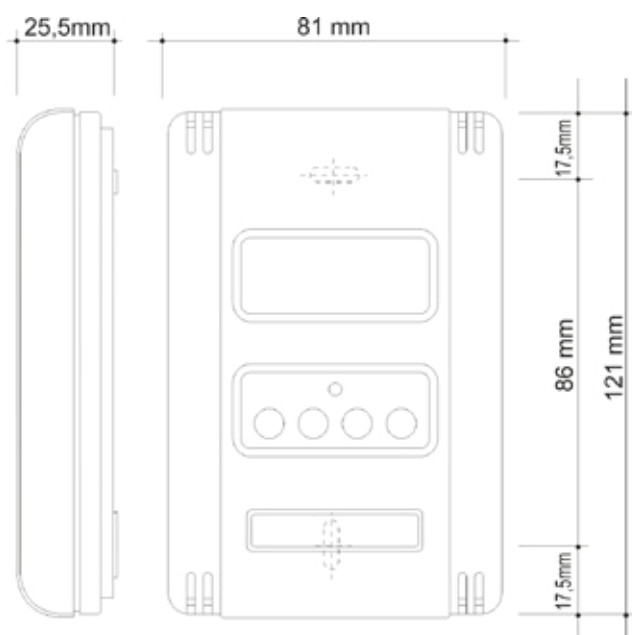
OUTPUT: Analog and Digital

AVAILABLE FOR

Industrial Automation



DIGITAL THERMOSTAT



Approximated weight: 130g

TECHNICAL DATA

POWER SUPPLY	24 Vac + - 10%
CONSUMPTION	35mA
DISPLAY	LCD
TEMP. MEASURING	+5 to +35°C
OPERATING TEMP.	-40 to + 65 °C
DIGITAL OUTPUT	SSR I _{max.} 1A
ANALOG OUTPUT	I _{max.} 100mA - 0 to 10V AND 2 to 10V
SENSORS	Local OR REMOTE
PROTECTION DEGREE	IP 30
FIXATION	10x5cm BOX

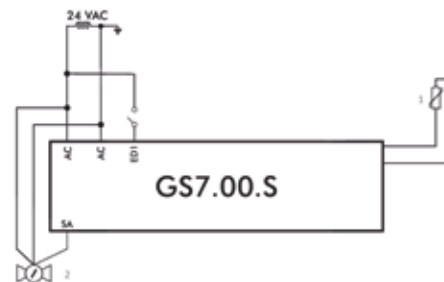
* According to product configuration. ** Consumption may vary according to customer specifications.
We keep the right to update or change information regarding products without prior notice.



VAV BOX ACTIVATION

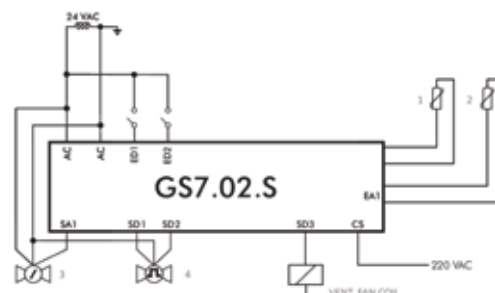
GS7.00.S

- Remote climate inversion
- Local temperature sensor (winter / summer)¹
- PID-type temperature control loop
- Proportional valve control²
- Wall fixation in 10x5cm box
- Stand alone operation

**FAN-COIL CONTROL AND VAV BOX ACTIVATION**

GS7.02.S

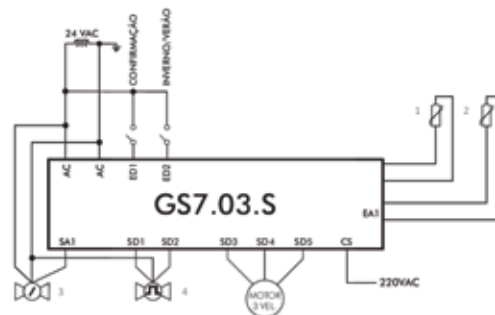
- Remote climate inversion
- Sensor selection (local or remote) via parameter:
 - Local temperature sensor (winter / summer)¹
 - Option for remote sensor²
- PID-type temperature control loop
- Proportional valve control³
- Floating valve control and on/off⁴
- Two shift weekly calendar
- Real time clock
- Stand alone operation
- Wall fixation in 10x5cm box



FAN-COIL CONTROL WITH 3 SPEED FAN

GS7.03.S

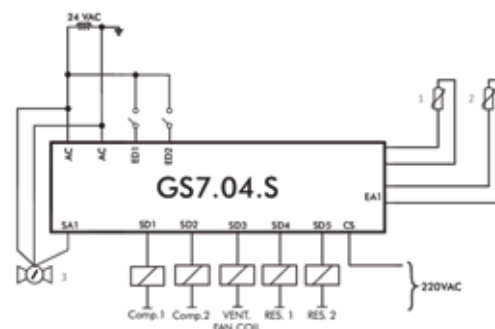
- Three fan speeds
- Remote climate reversal
- Sensor selection (local or remote) via parameter:
 - Local temperature sensor (winter / summer)¹
 - Option for remote sensor²
- PID-type temperature control loop
- Proportional valve control³
- Floating valve control and on/off⁴
- Two shift weekly calendar
- Real time clock
- Stand alone operation
- Wall fixation in 10x5cm box



SELF CONTAINED DEDICATED CONTROL

GS7.04.S

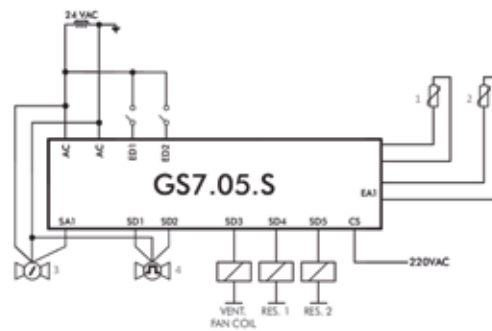
- Two heating stages
- Sensor selection (local or remote) via parameter:
 - Local temperature sensor¹
 - Option for remote sensor²
- PID-type temperature control loop
- Proportional valve control³
- Two shift weekly calendar
- Real time clock
- Stand alone operation
- Wall fixation in 10 x 5cm box
- Blue LCD display with back light
- Control for two compressors



FAN-COIL CONTROL WITH HEATING

GS7.05.S

- Two heating stages
- Remote climate reversal
- Sensor selection (local or remote) via parameter:
 - Local temperature sensor¹
 - Option for remote sensor²
- PID-type temperature control loop
- Proportional valve control³
- Floating valve control and on/off 4
- Two shift weekly calendar
- Real time clock
- Stand alone operation
- Wall fixation in 10x5cm box





WE ARE TODAY.
WE ARE TOMORROW.
WE ARE GLOBUS!



Globus
Electronics



Av.Pernambuco, 106 | Navegantes | Porto Alegre | Brasil
Fone: +55 51 3205 0555



Phone: +1 754 600 9882

www.globus.com.br

