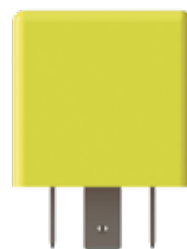


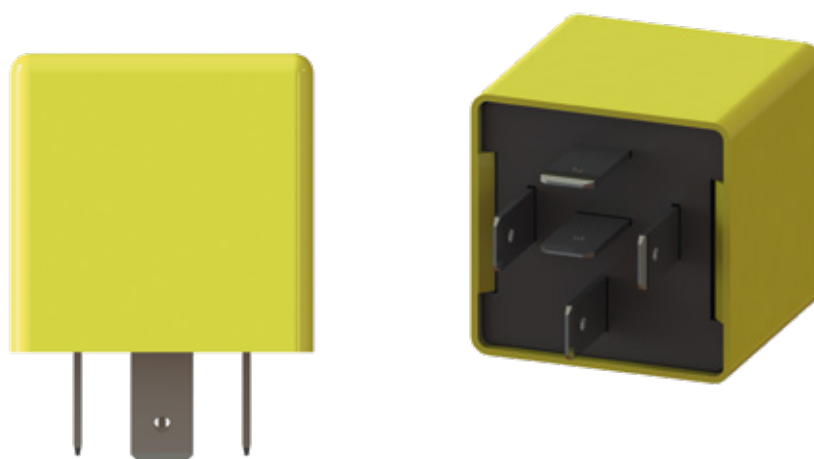
ELECTRONIC THERMOSTAT



ELECTRONIC THERMOSTAT

HVAC + R

STANDARD



MAIN FUNCTIONS

COIL FREEZE PROTECTION

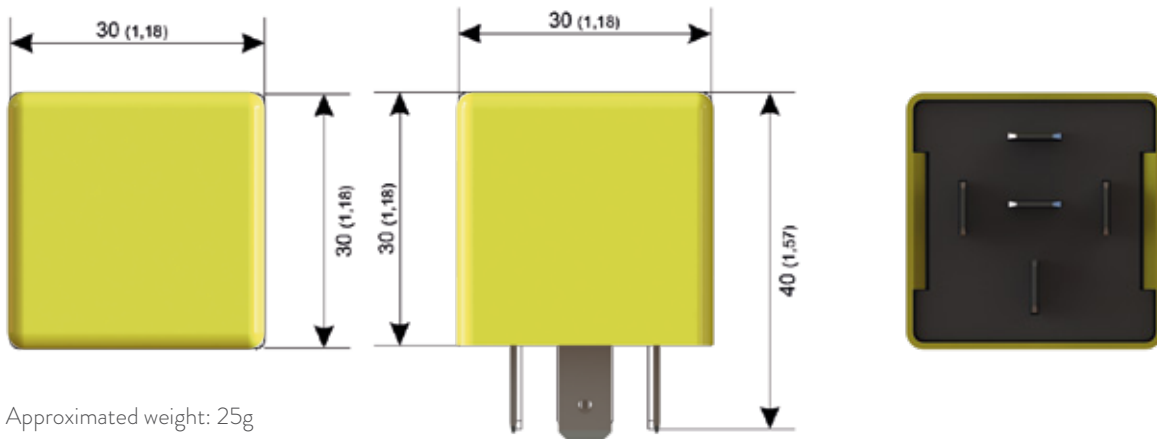
CHARACTERISTICS

- Plastic Housing
- Standard relay size
- 0.6°C (31°F) Switch-off temperature
- Reset temperature 3.9°C (39°F)
- 15s hysteresis to reset after switch-off
- 5s delay for voltage selection and output activation after power up
- Output shutdown when product is at temperature sensor failure

AVAILABLE FOR



TECHNICAL DATA



Approximated weight: 25g

CONNECTORS



AMP Faston – 5 ways
Part Number: 10763622
Terminal - PN: 735222-2
Manufacturer: AMP Faston



TEMPERATURE SENSOR 10K
Part Number: GL-A0SGL007
Manufacturer: GLOBUS

CONNECTOR + TERMINAL + SENSOR SOLD TOGETHER WITH THERMOSTAT

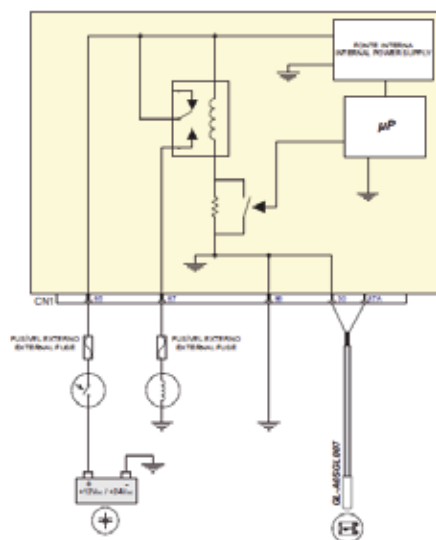
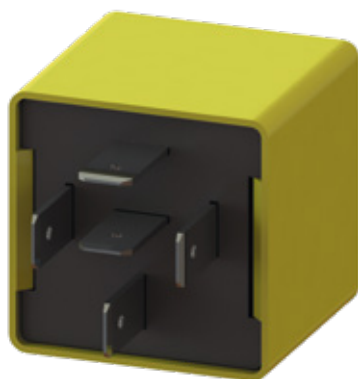
TECHNICAL DATA	
NOMINAL VOLTAGE	12 VDC / 24 VDC
OPERATING VOLTAGE RANGE	9 VDC to 30 VDC
MAXIMUM VOLTAGE	32 VDC during 5 min
MAXIMUM CURRENT PER OUTPUT	6A@12VDC / 3A@24VDC
OUTPUT SHORT-CIRCUIT	Not Protected *
REVERSE POLARITY	Protected *
OPERATING TEMPERATURE RANGE	-40°C to +85°C
STORAGE TEMPERATURE	-40°C to +85°C / -40°F to +185°F
PROTECTION DEGREE	IP 50
CONNECTOR	Standard relay socket
MAXIMUM CURRENT CONSUMPTION	37mA @ 12VDC / 40mA @ 24VDC
STANDBY CONSUMPTION	10mA @ 12VDC / 10mA @ 24VDC

* According to product configuration. ** Consumption may vary according to customer specifications.
We keep the right to update or change information regarding products without prior notice.



ELECTRONIC THERMOSTAT

GL-M1HGL006





WE ARE TODAY.
WE ARE TOMORROW.
WE ARE GLOBUS!



Globus
Electronics



Av.Pernambuco, 106 | Navegantes | Porto Alegre | Brasil
Fone: +55 51 3205 0555



Phone: +1 754 600 9882

www.globuselectronics.com

