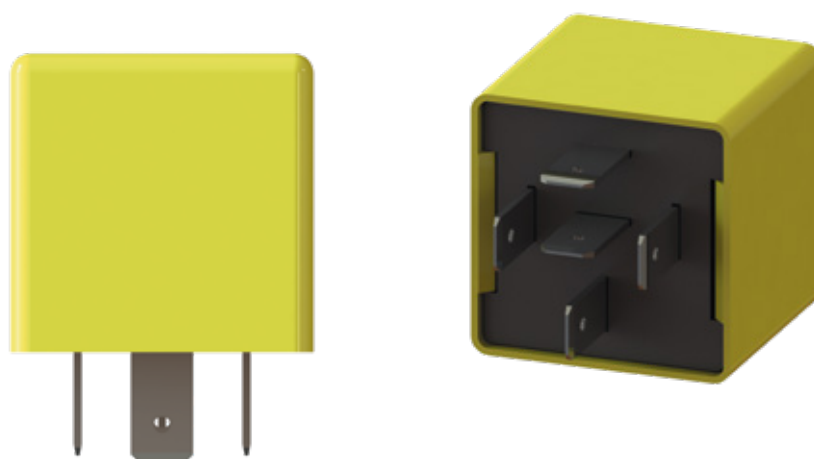


# ELECTRONIC THERMOSTAT

HVAC + R

STANDARD



## MAIN FUNCTIONS

COIL FREEZE PROTECTION

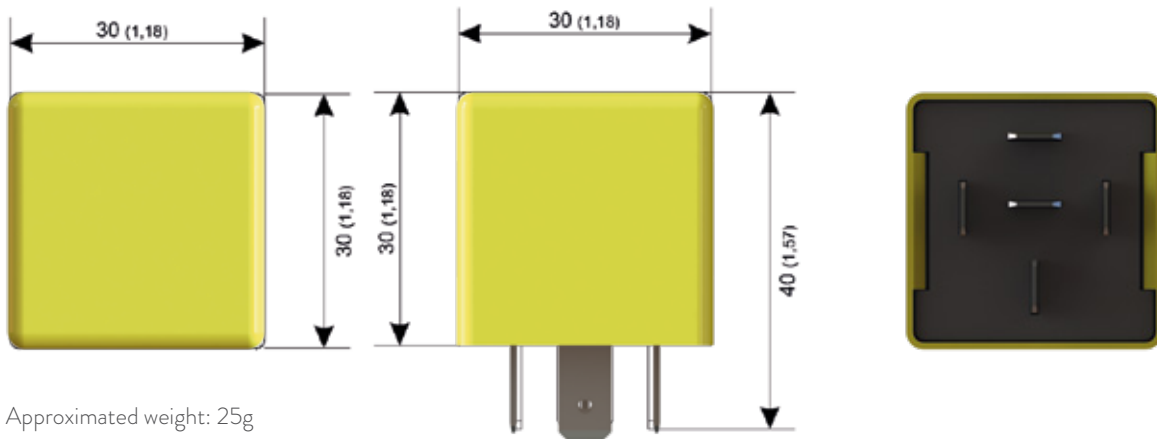
## CHARACTERISTICS

- Plastic Housing
- Standard relay size
- 0.6°C (31°F) Switch-off temperature
- Reset temperature 3.9°C (39°F)
- 15s hysteresis to reset after switch-off
- 5s delay for voltage selection and output activation after power up
- Output shutdown when product is at temperature sensor failure

## AVAILABLE FOR



# TECHNICAL DATA



## CONNECTORS



AMP Faston – 5 ways  
Part Number: 10763622  
Terminal - PN: 735222-2  
Manufacturer: AMP Faston



TEMPERATURE SENSOR 10K  
Part Number: GL-A0SGL007  
Manufacturer: GLOBUS

## CONNECTOR + TERMINAL + SENSOR SOLD TOGETHER WITH THERMOSTAT

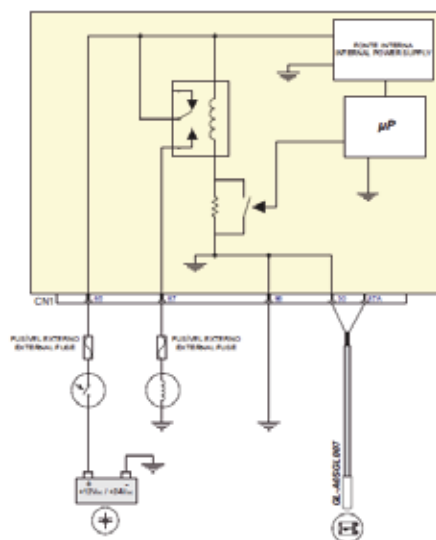
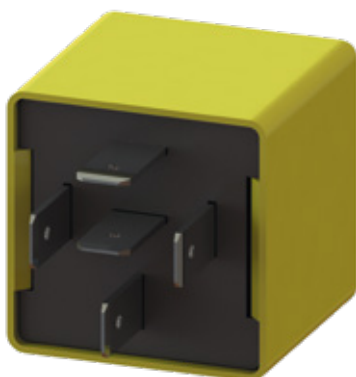
TECHNICAL DATA	
NOMINAL VOLTAGE	12 VDC / 24 VDC
OPERATING VOLTAGE RANGE	9 VDC to 30 VDC
MAXIMUM VOLTAGE	32 VDC during 5 min
MAXIMUM CURRENT PER OUTPUT	6A@12VDC / 3A@24VDC
OUTPUT SHORT-CIRCUIT	Not Protected *
REVERSE POLARITY	Protected *
OPERATING TEMPERATURE RANGE	-40°C to +85°C
STORAGE TEMPERATURE	-40°C to +85°C / -40°F to +185°F
PROTECTION DEGREE	IP 50
CONNECTOR	Standard relay socket
MAXIMUM CURRENT CONSUMPTION	37mA @ 12VDC / 40mA @ 24VDC
STANDBY CONSUMPTION	10mA @ 12VDC / 10mA @ 24VDC

\* According to product configuration. \*\* Consumption may vary according to customer specifications.  
We keep the right to update or change information regarding products without prior notice.



# ELECTRONIC THERMOSTAT

GL-M1HGL006





WE ARE TODAY.  
WE ARE TOMORROW.  
WE ARE GLOBUS!



**Globus**  
Electronics



Av.Pernambuco, 106 | Navegantes | Porto Alegre | Brasil  
Fone: +55 51 3205 0555



Phone: +1 754 600 9882

[www.globuselectronics.com](http://www.globuselectronics.com)

