



FOX
OLED DISPLAY

OEM
HVAC + R

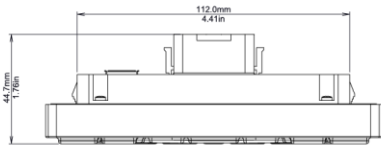
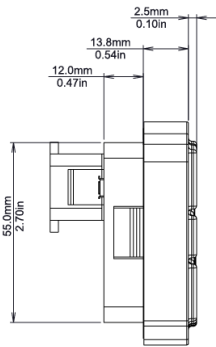
**HVAC+R CONTROL PANEL CONCEPT |
RUBBERIZED AND GRAPHIC OLED
DISPLAY 128 x 64px
GL-P6HGL001**

CHARACTERISTICS

- 3 speed ventilation control
- Refrigeration, heating and AUTO modes
- Pressure switch input
- Return temperature sensor input
- External temperature sensor input
- Clutch relay output
- Heating relay output
- Fresh air output
- Available as HMI - Human Machine Interface (CAN Bus)
- Highly customizable
- Personalized button symbols
- Customer logo on display

- Individual multicolored indicators
- 13 backlit rubber buttons
- RTC (Real Time Clock) with battery
- Function hourmeters
- Robust automotive connector
- Graphic OLED display 128x64px
- Diagnostics menu (data logger)
- Double temperature scale (°F or °C)
- 10 selectable languages via menu
- Bluetooth and Wi-Fi module interface

TECHNICAL DATA

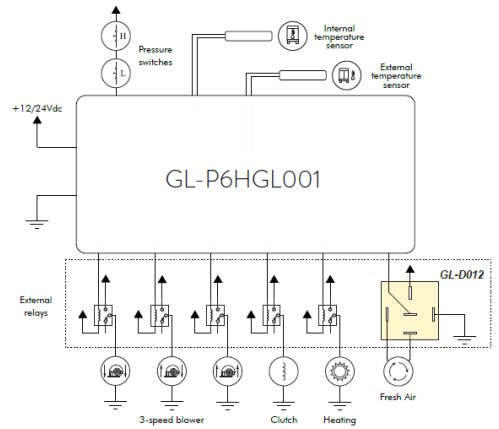


Approximated gross weight: 160 g

CONNECTOR



Mate-N-Lok 15 cable paths
Part Number: 1-480710 - 0
Terminal - PN: 350689-3
Manufacturer: Tyco Electronics



TECHNICAL DATA	
OPERATING VOLTAGE	12 Vdc to 24 Vdc
VOLTAGE RANGE	10 Vdc to 30 Vdc
MAXIMUM VOLTAGE	32 Vdc during 5mins.
MAXIMUM CURRENT PER OUTPUT	500mA
OUTPUT SHORT-CIRCUIT	Protected
REVERSE POLARITY	Protected
OPERATING TEMPERATURE	-40°C to +85°C / -40°F to +185°F
STORAGE TEMPERATURE	-40°C to +85°C / -40°F to +185°F
TEMPERATURE SENSOR	NTC - 10k @25°C/ 77°F
FRONTAL PROTECTION DEGREE	IP 54
COMMUNICATION	CAN-SAE J1939 / One Wire
MAXIMUM CURRENT CONSUMPTION	120 to 150mA *
STANDBY CONSUMPTION	50 to 100 mA *

* Consumption in stand by mode may vary depending on client specifications.
We keep the right to update or change information regarding products without prior notice

