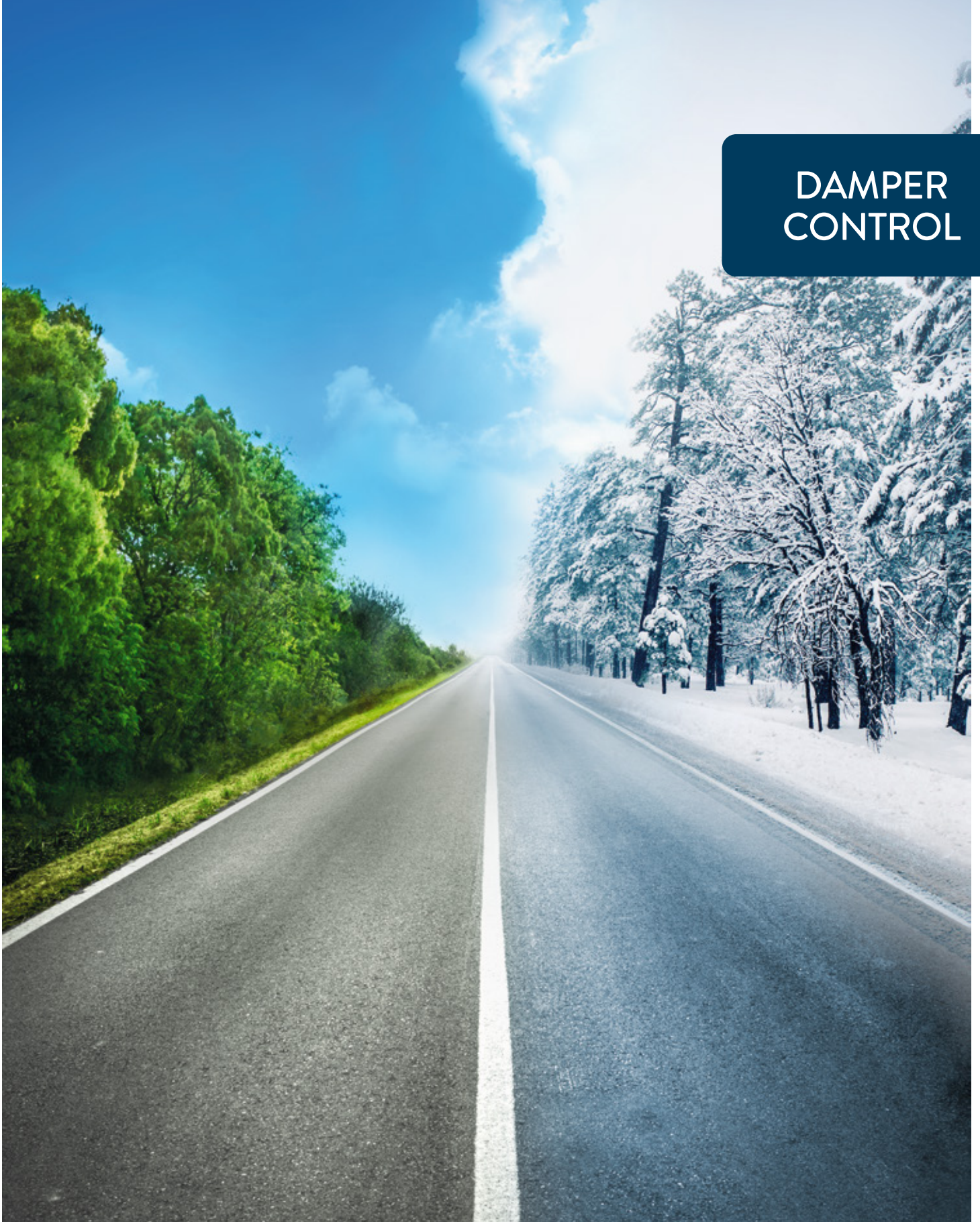


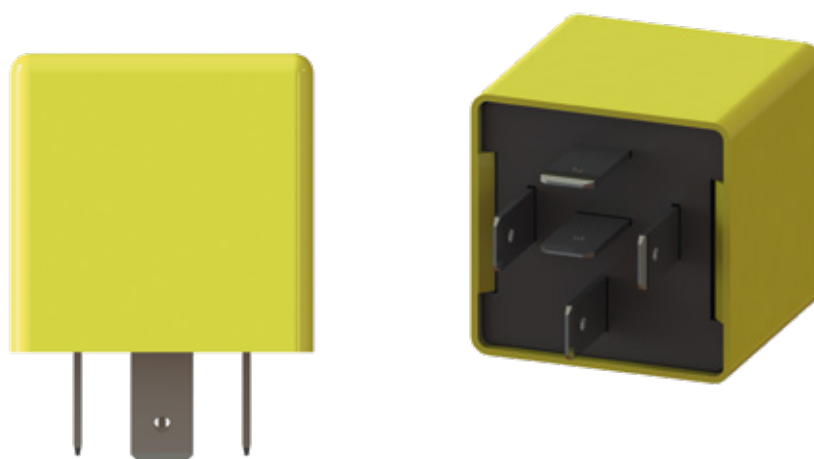
DAMPER CONTROL



DAMPER CONTROL

HVAC + R

STANDARD



MAIN FUNCTIONS

FLAP ON /OFF CONTROL

AIR CONDITIONING

REFRIGERATION

FRONT BOX

CHARACTERISTICS

Microprocessor module for flap control.

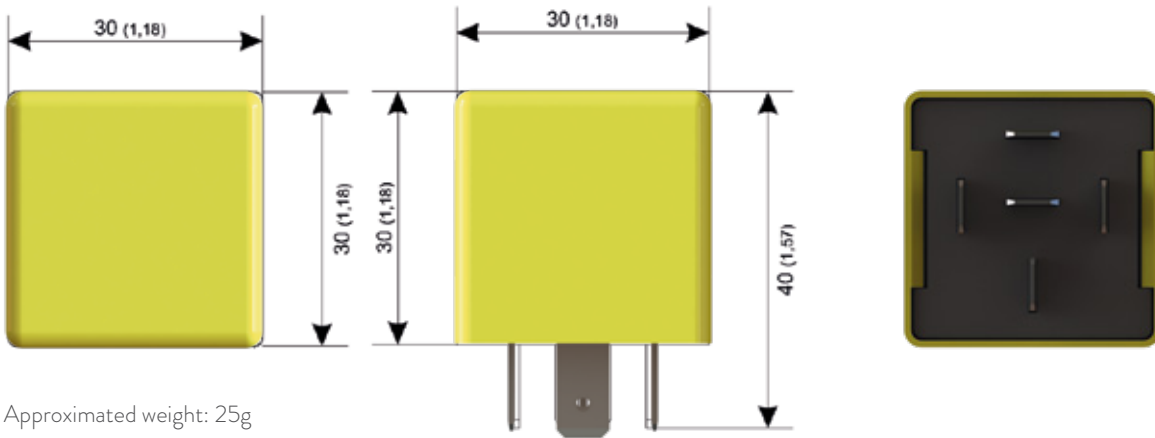
Controls a motor with a maximum current of 1A.

Has motor short protection.

AVAILABLE FOR



TECHNICAL DATA



Approximated weight: 25g

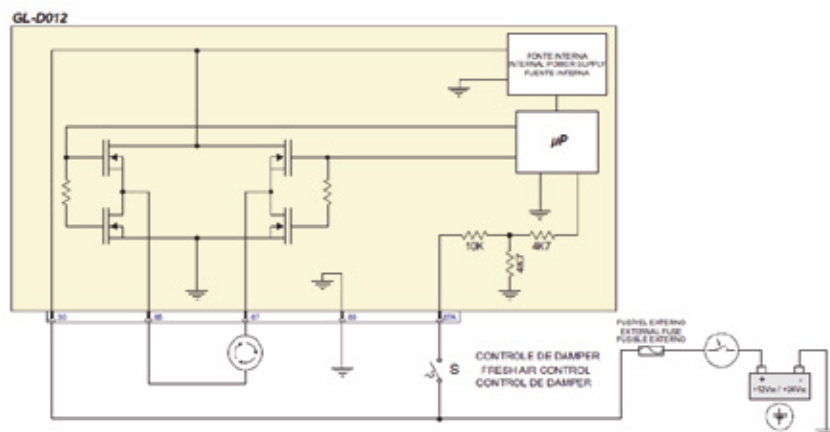
TECHNICAL DATA	
NOMINAL VOLTAGE	12 VDC / 24 VDC
VOLTAGE RANGE	10 VDC / 30 VDC
MAXIMUM VOLTAGE	32 VDC during 5 min
MAXIMUM CURRENT PER OUTPUT	500 mA
OUTPUT SHORT-CIRCUIT	Protected *
REVERSE POLARITY	Protected *
OPERATING TEMPERATURE	-40°C to +85°C
STORAGE TEMPERATURE	-40°C to +80°C / -40°F to +176°F
PROTECTION DEGREE	IP 50
CONNECTOR	Standard relay socket
MAXIMUM CURRENT CONSUMPTION	6mA @ 12VDC / 18mA @ 24VDC
STANDBY CONSUMPTION	N/A
Observations: MOTOR SUGGESTION: BOSCH (CODE:0 132 801 143) / ACTIVATION TIME: 5 SECONDS	

* According to product configuration. ** Consumption may vary according to customer specifications.

We keep the right to update or change information regarding products without prior notice.

DAMPER CONTROL / FRESH AIR CONTROL

GL-D012





WE ARE TODAY.
WE ARE TOMORROW.
WE ARE GLOBUS!



Globus
Electronics



Av.Pernambuco, 106 | Navegantes | Porto Alegre | Brasil
Fone: +55 51 3205 0555



Phone: +1 754 600 9882

www.globuselectronics.com

