



OEM

HVAC + R

# MINI

## 7 SEGMENT DISPLAY AIR CONDITIONING CONTROL PANEL

GL-P0HGL334

### CHARACTERISTICS

- Return sensor input
- Coil temperature sensor input
- 3 speed evaporator output
- Compressor/Condenser output
- Heating output
- Fresh Air output
- Plastic Housing
- Customizable design
- Temperature Scale °C
- Automotive connector
- Customer logo on the panel (optional)

### CONNECTORS

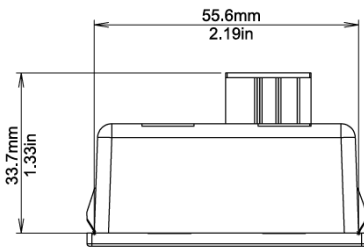
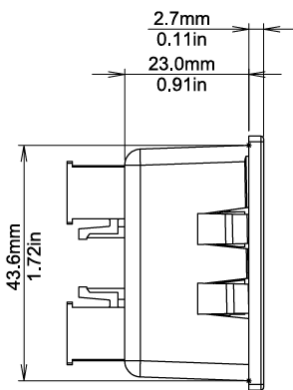


MINI-FIT  
6 cable paths - Part Number: 39-01-2060  
Terminal - PN: 39-00-0038  
Manufacturer: Molex

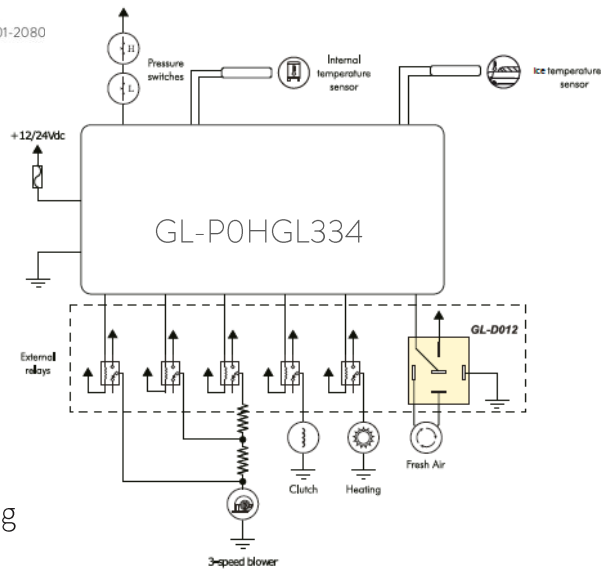


MINI-FIT  
8 cable paths - Part Number: 39-01-2080  
Terminal - PN: 39-00-0038  
Manufacturer: Molex

### TECHNICAL DATA



Approximate Gross Weight : 50 g



### TECHNICAL DATA

OPERATING VOLTAGE	12 Vdc to 24 Vdc
VOLTAGE RANGE	10 Vdc to 30 Vdc
MAXIMUM VOLTAGE	32 Vdc during 5mins.
MAXIMUM CURRENT PER OUTPUT	500mA
OUTPUT SHORT-CIRCUIT	Protected
REVERSE POLARITY	Protected
OPERATING TEMPERATURE	-40°C to +85°C / -40°F to +185°F (Normal or extended temperature range options)
STORAGE TEMPERATURE	-40°C to +85°C / -40°F to +185°F
TEMPERATURE SENSOR	NTC (Other types under request)
FRONTAL PROTECTION DEGREE	IP 54
COMMUNICATION	One Wire
MAXIMUM CURRENT CONSUMPTION	12 Vdc @ 20mA / 24 Vdc @ 25mA *
STANDBY CONSUMPTION	N/A

\* Consumption may vary according to customer specifications.  
We keep the right to update or change information regarding products without prior notice.