



# BASIC

OEM  
HVAC + R

## PANEL WITH REMOTE ECU AND TELEMATICS MODULE GL-P1HGL011



### CHARACTERISTICS

- One-Wire Communication
- HMI – Human Machine Interface
- Customizable design
- Function Hourmeters
- Temperature Scale °C
- Integrated or remote I/Os (ECU)
- Telematics through additional module
- Bluetooth or Wi-Fi module interface
- Automotive Connector
- Customer logo on the panel (optional)



**AC MODULE  
GL-M1HGL003**

- Air Conditioning (heat and cool)
- 2 ventilation speeds (high and low + auto)
- Fresh Air



**TELEMATICS MODULE  
GL-M1SGL002**

- One-Wire Communication
- Bluetooth

### CONNECTORS



Mate-N-Lok 9 cable paths  
Part Number: 880125 - 0  
Terminal - PN: 880685-2  
Manufacturer: Tyco Electronics

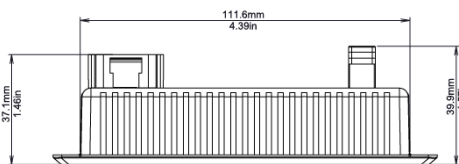
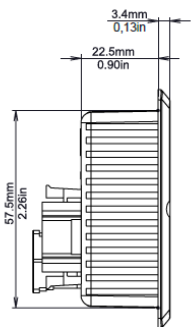


Positive Lock  
Part Number: 926522 - 2  
Terminal - PN: 8806456  
Manufacturer: Tyco Electronics

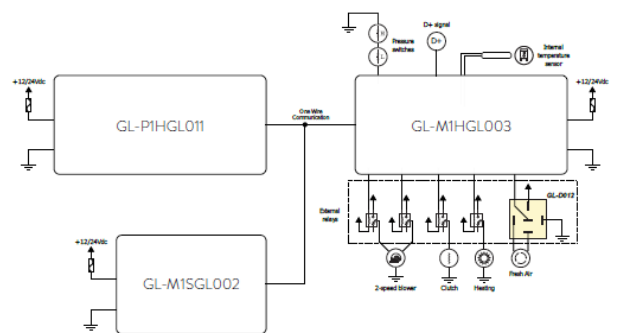


Mini Fit 12 cable paths  
Part Number: 39-01-2120  
Terminal - PN: 39-00-0038  
Manufacturer: Molex

### TECHNICAL DATA



Approximate Gross Weight: 110 g



TECHNICAL DATA	
OPERATING VOLTAGE	12 Vdc to 24 Vdc
VOLTAGE RANGE	10 Vdc to 30 Vdc
MAXIMUM VOLTAGE	32 Vdc during 5 mins.
MAXIMUM CURRENT PER OUTPUT	500mA
OUTPUT SHORT-CIRCUIT	Protected
REVERSE POLARITY	Protected
OPERATING TEMPERATURE	-40°C to +85°C / -40°F to +185°F (Normal or extended temperature range options)
STORAGE TEMPERATURE	-40°C to +85°C / -40°F to +185°F
TEMPERATURE SENSOR	NTC (Other types under request)
FRONTAL PROTECTION DEGREE	IP 54
COMMUNICATION	One Wire
MAXIMUM CURRENT CONSUMPTION	12 Vdc = 50mA / 24Vdc = 55mA *
STANDBY CONSUMPTION	N/A

\* Consumption may vary according to customer specifications.  
We keep the right to update or change information regarding products without prior notice.