

BASIC

OEM
HVAC + R

AUTOMOTIVE AIR CONDITIONING CONTROL PANEL COOLING

GL-P1HGL010

CHARACTERISTICS

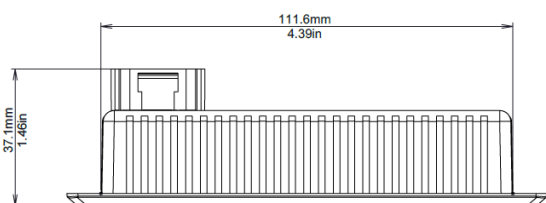
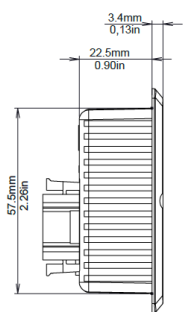
- Air conditioning (only cooling)
- 2 ventilation speeds (high and low + auto)
- Function Hourmeters (evaporators and compressor)
- Customer logo on the panel (optional)
- Customizable design
- Temperature Scale °C
- Automotive Connector

CONNECTORS

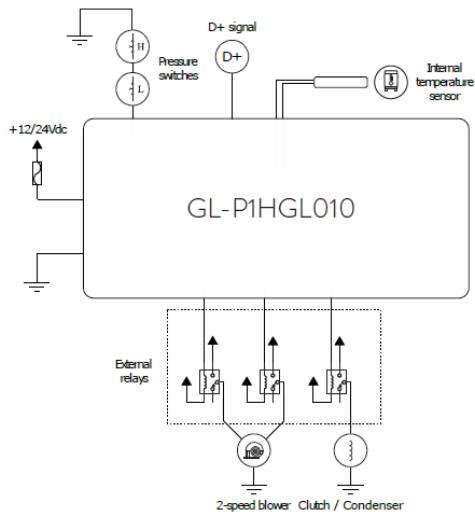


Mate-N-Lok 9 cable paths
Part Number: 880125 - 0
Terminal - PN: 880685-2
Manufacturer: Tyco Electronics

TECHNICAL DATA



Approximate Gross Weight: 110 g



TECHNICAL DATA

OPERATING VOLTAGE	12 Vdc to 24 Vdc
VOLTAGE RANGE	10 Vdc to 30 Vdc
MAXIMUM VOLTAGE	32 Vdc during 5 mins
MAXIMUM CURRENT PER OUTPUT	500mA
OUTPUT SHORT-CIRCUIT	Protected
REVERSE POLARITY	Protected
OPERATING TEMPERATURE	-40°C to +85°C / -40°F to +185°F (Normal or extended temperature range options)
STORAGE TEMPERATURE	-40°C to +85°C / -40°F to +185°F
TEMPERATURE SENSOR	NTC (Other types under request)
FRONTAL PROTECTION DEGREE	IP 54
COMMUNICATION	N/A
MAXIMUM CURRENT CONSUMPTION	12 Vdc = 50mA / 24Vdc = 55mA *
STANDBY CONSUMPTION	N/A

* Consumption may vary according to customer specifications.
We keep the right to update or change information regarding products without prior notice..