



Globus
Electronics

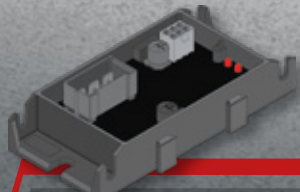
EZ SYSTEM SCHOOL BUS

HVAC

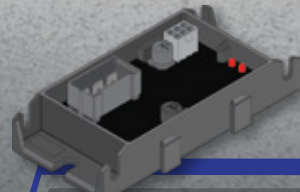
REDUCING COST BY ADDING MODULES TO POWER UP
EVAPORATOR AND CONDENSED MOTORS



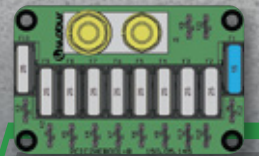
CONTROLLER



CONDENSER
MODULE



EVAPORATOR
MODULE

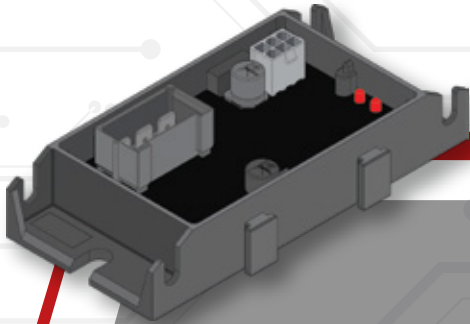


FUSE BOARD



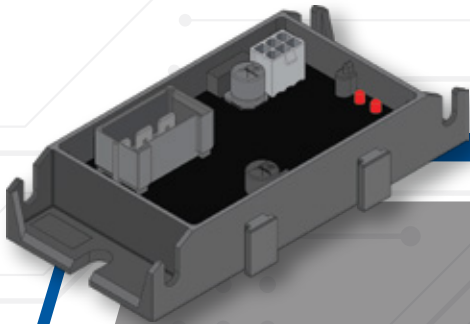
CONTROLLER

- Controls driver and passenger ventilation speed
- Driver and passenger compressors - Up to 5A each
- Noise suppression button pauses ventilation for railway crossing



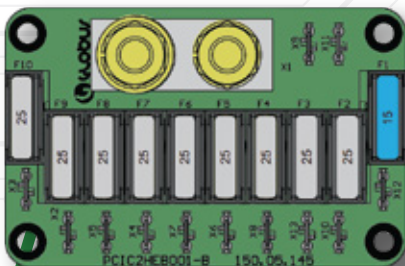
CONDENSER MODULE

- 2 condenser motors per module
- Up to 10A per motor
- Sealed and non-sealed options



EVAPORATOR MODULE

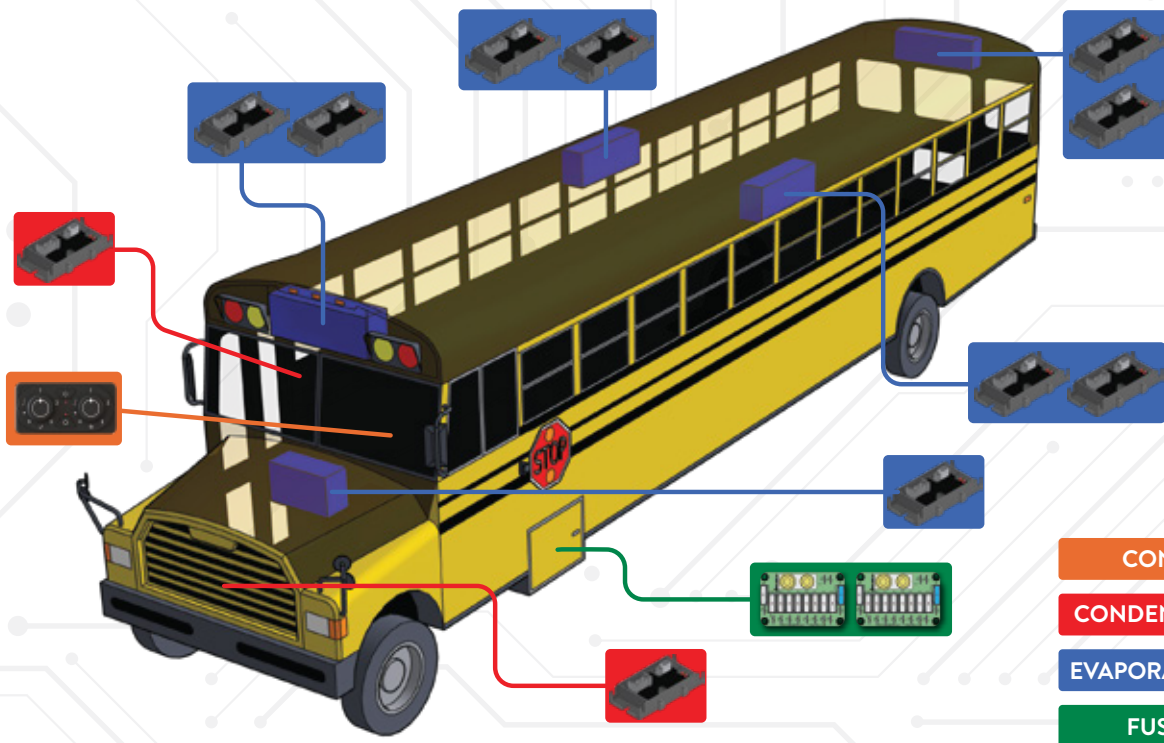
- 1 blower motor per module
- Up to 20A in high speed
- Return temperature sensor



FUSE BOARD

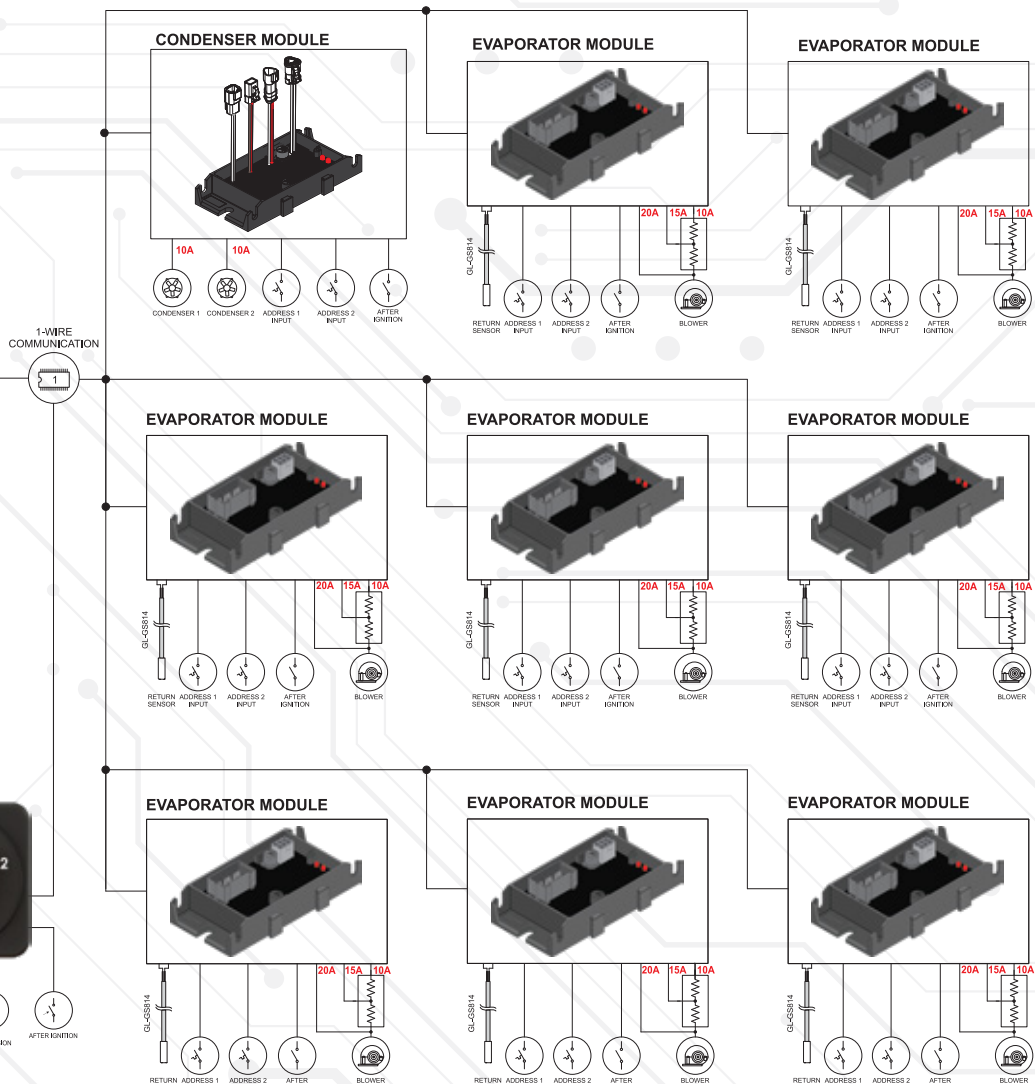
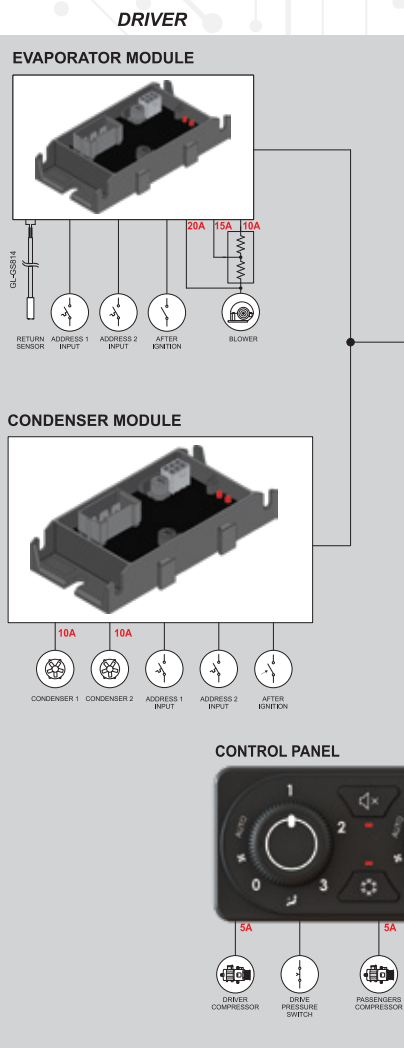
- 9x25A fuses + 1x15A fuse

MODULES CAN BE SNAPPED TOGETHER



- CONTROLLER
- CONDENSER MODULE
- EVAPORATOR MODULE
- FUSE BOARD

DIAGRAM





We supply to more than 40 countries on 5 continents



Av.Pernambuco, 106 | Navegantes | Porto Alegre | Brasil
Fone: +55 51 3205 0555



Phone: +1 754 600 9882



www.globus.com.br