

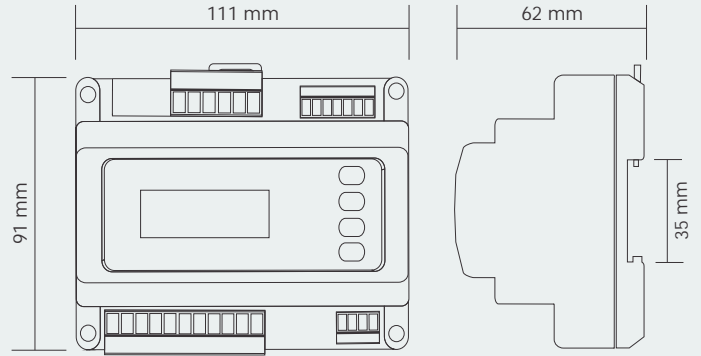


Applications ➔ Fan-coils control with heating and air flow control

Characteristics

- Manual or automatic actuation
- Real-time clock
- Stand alone or Rs485 network
- PID temperature control mesh
- Remote climate inversion (winter/summer)
- Controls two proportional valves (hot or cold water)
- 2 weekly shifts calendar
- Additional temperature supervising
- Modbus RTU communication protocol
- 2 heating stages
- Controls frequency inverter – fan speed

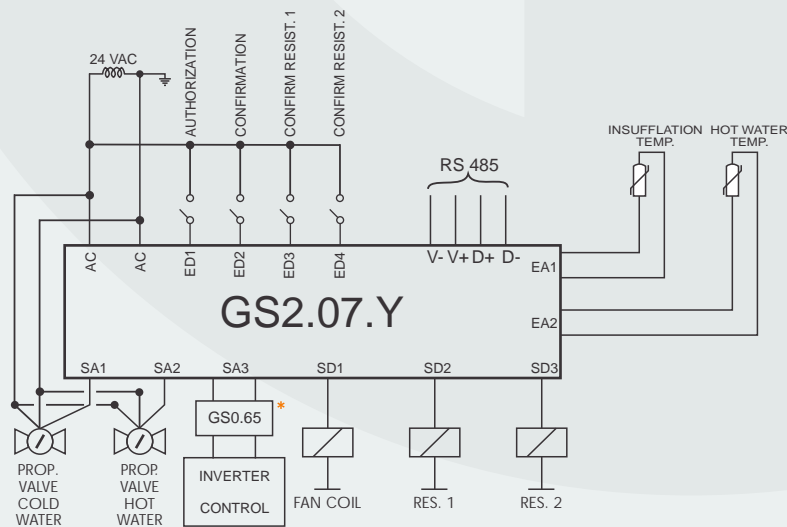
Dimensions



Technical Data

POWER SUPPLY	24 Vac ± 10 % ; +24 Vdc ± 10 %
CONSUME	150 mA
DISPLAY	3 Digits, LED
TEMP. MEASUREMENT	-10 to +40°C
TEMP. OPERATION	-40 to +65°C
SENSORS	GS8.13(ambient) and GS8.14 (return)
PROTECTION DEGREE	IP 10
FIX	Trail TS32 or TS35
WEIGHT	210 gr.

Electric Connections



* GS0.65.T - 0 a 10V signal insulating transducer - on demand.