

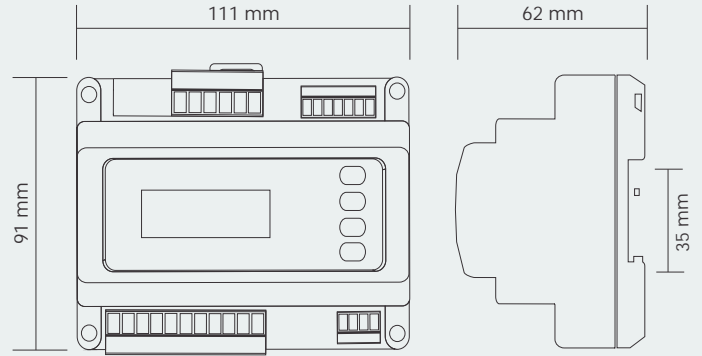


Application ➔ Secondary pumps control

Characteristics

- Controls up to 3 devices
- Voltage input configurable (0 to 5V, 1 to 5V, 1 to 10V or 2 to 10V) and temperature NTC
- Controls frequency inverter
- Manual or automatic actuation
- PID temperature control mesh
- 2 weekly shifts calendar for each device
- Real-time clock
- Stand alone or RS485 network
- Modbus RTU communication protocol

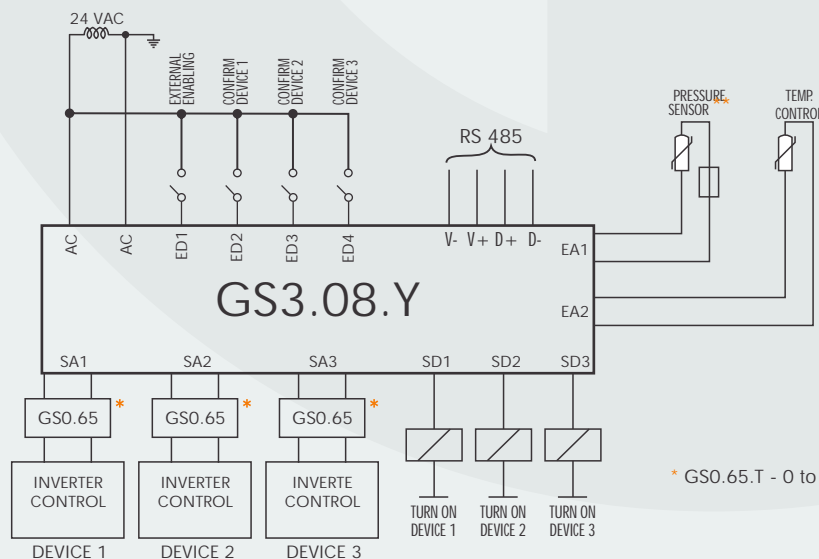
Dimensions



Technical Data

POWER SUPPLY	24 Vac ± 10 % ; +24 Vdc ± 10 %
CONSUMPTION	150 mA
DISPLAY	3 Digits, LED
TEMP MEASUREMENT	-10 to +40 °C
TEMP. OPERATION	-40 to +65 °C
DIGITAL OUTPUT	SSR, Imáx. 1A
SENSORS	NTC GS8.13 and GS8.14
PROTECTION DEGREE	IP 10
FIX	Trail TS32 or TS35
WEIGHT	210 gr.

Electric Connections



* GSO.65.T - 0 to 10V signal insulating transducer
- on demand
** Pressure sensor
Configurable voltage signal
*** External 24Vcc to power the sensor