



Automotive HVAC and Refrigeration

Data Logger Module

Linked with the communication line through the control panel, it logs all events and failures allowing the user to collect data via USB port.

We can have a report to this information and a graphic to analyze.

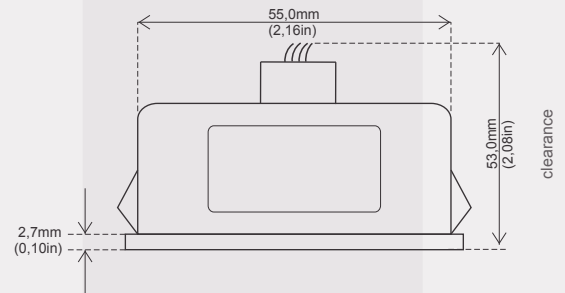
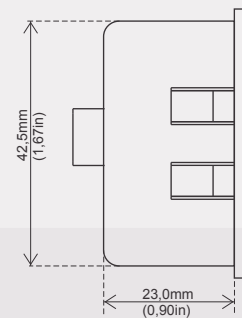
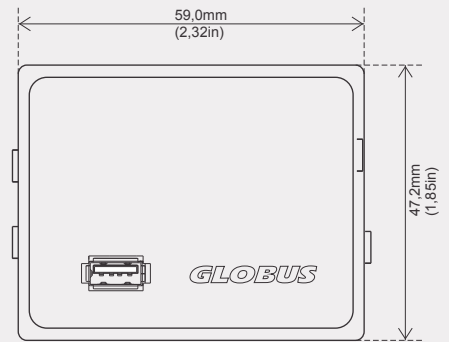
Characteristics

- USB connector
- Real time clock
- Can bus
- One wire Globus protocol
- 2 up to 8GB flash memory

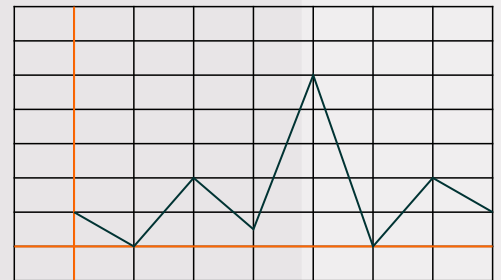
Technical Data

NOMINAL VOLTAGE	12 Vdc / 24 Vdc
OPERATIONAL VOLTAGE RANGE	10 Vdc ~ 30 Vdc
OPERATIONAL TEMPERATURE	-40°C ~ +80°C / -40°F ~ +176°F
IEC 60529 PROTECTION DEGREE	IP54
BACK CONNECTOR	MINIFIT

Dimensions



DATE	HOUR	DOOR	PRESURE	LINKED	ELETRIC	TEMPERATURA
29/09/2015	1:00pm	open	failure	off	off	22
29/09/2015	1:30pm	closed	ok	on	on	21
29/09/2015	2:00pm	closed	ok	on	on	22



Some features here described must be customized.

Current technical data information can be changed without notice.

FD0072E REV. 01 Mar/16